

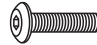


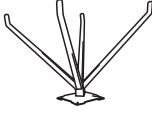
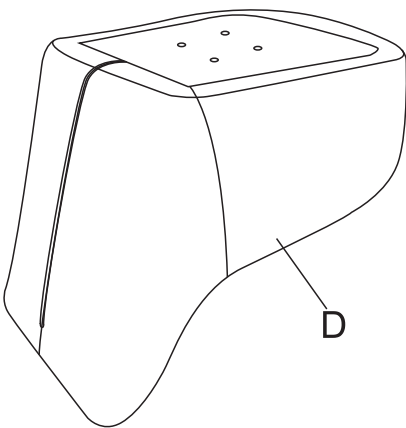


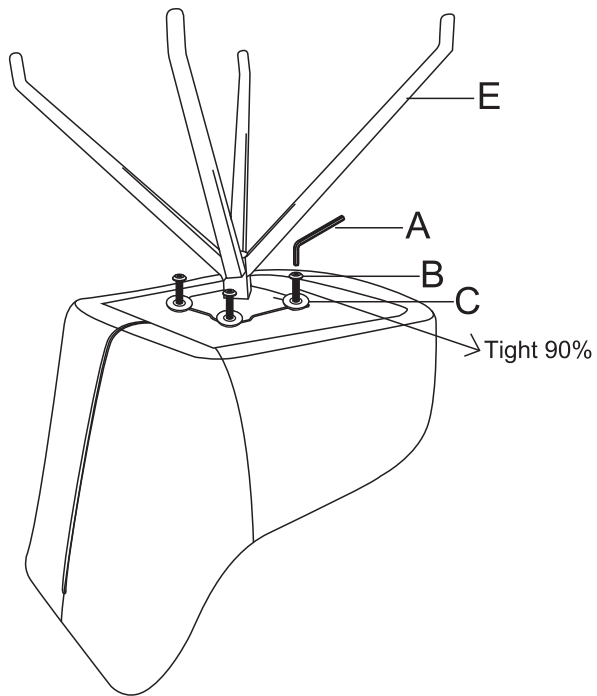
Montagehandleiding armstoel Fendam

	<p>A X1</p> 	<p>B X4</p>  6*30mm	<p>C X4</p> 	<p>D X1</p> 	<p>E X1</p> 
---	--	--	--	--	--

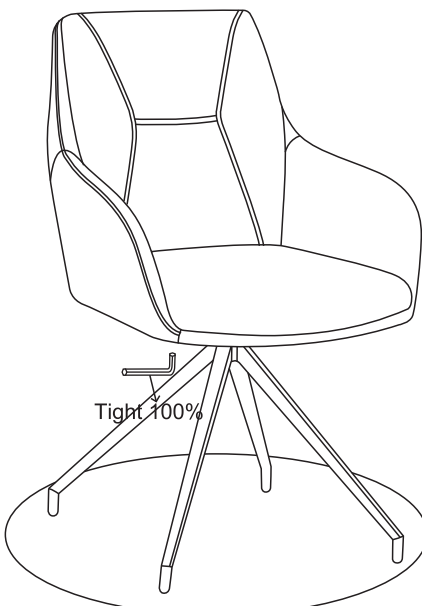
STEP1



STEP2
Tighten the screws just **90 %**



STEP3 *
Place the chair on a flat surface
Make sure the chair is stable
Tighten the screws to **100 %**



STEP4

