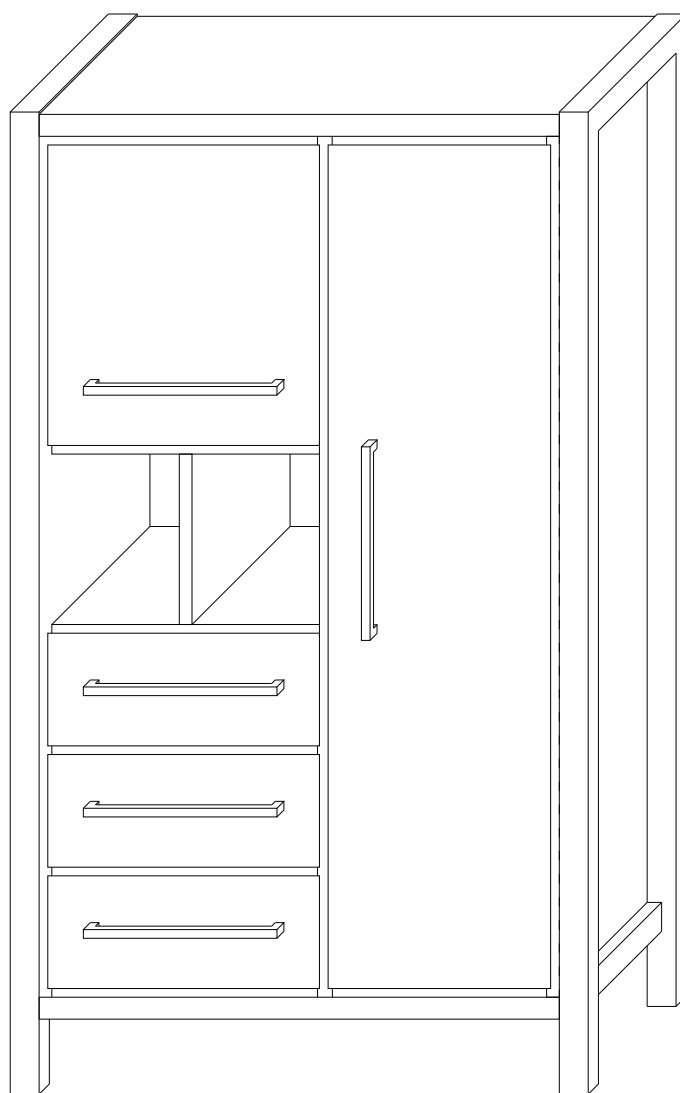
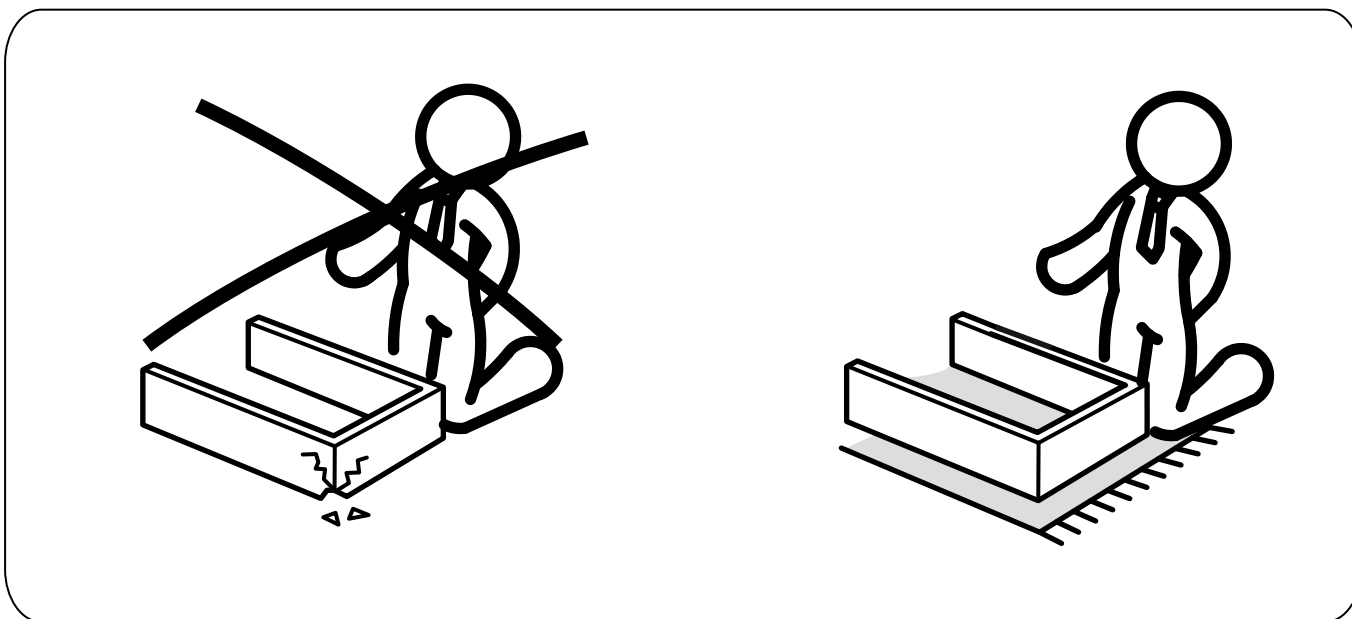
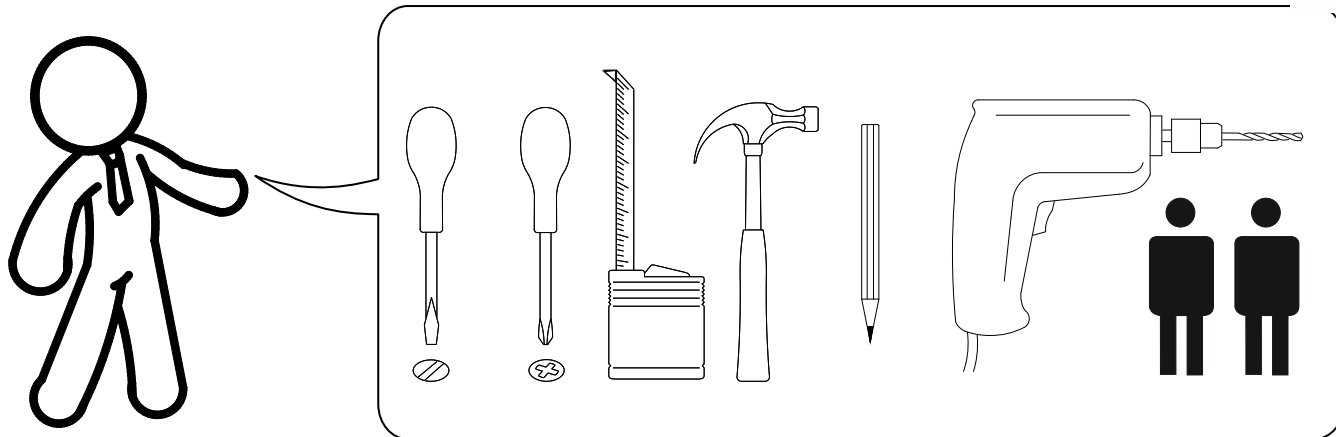
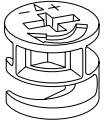
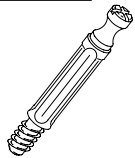
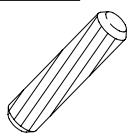
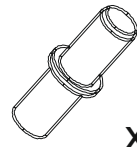
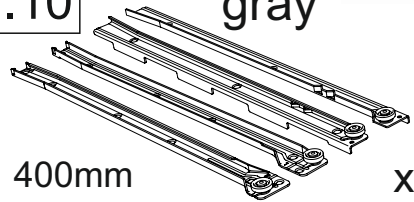
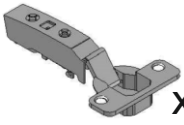
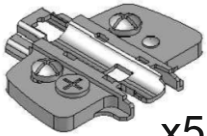

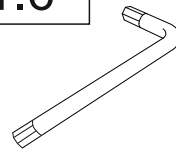
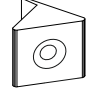
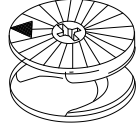
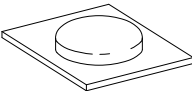
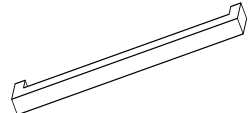

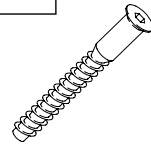
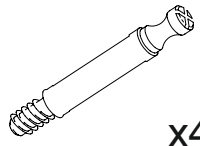
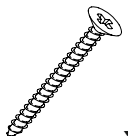
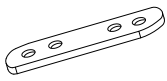
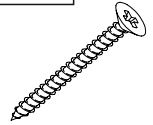
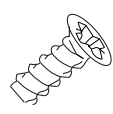


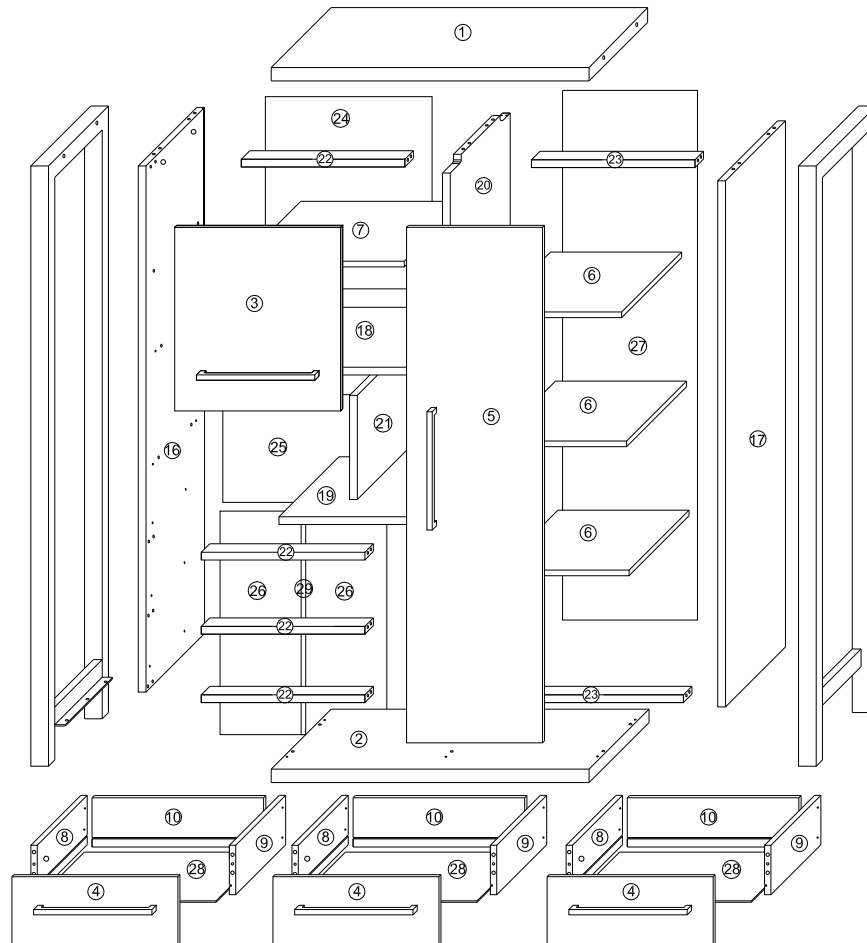
Navy NP



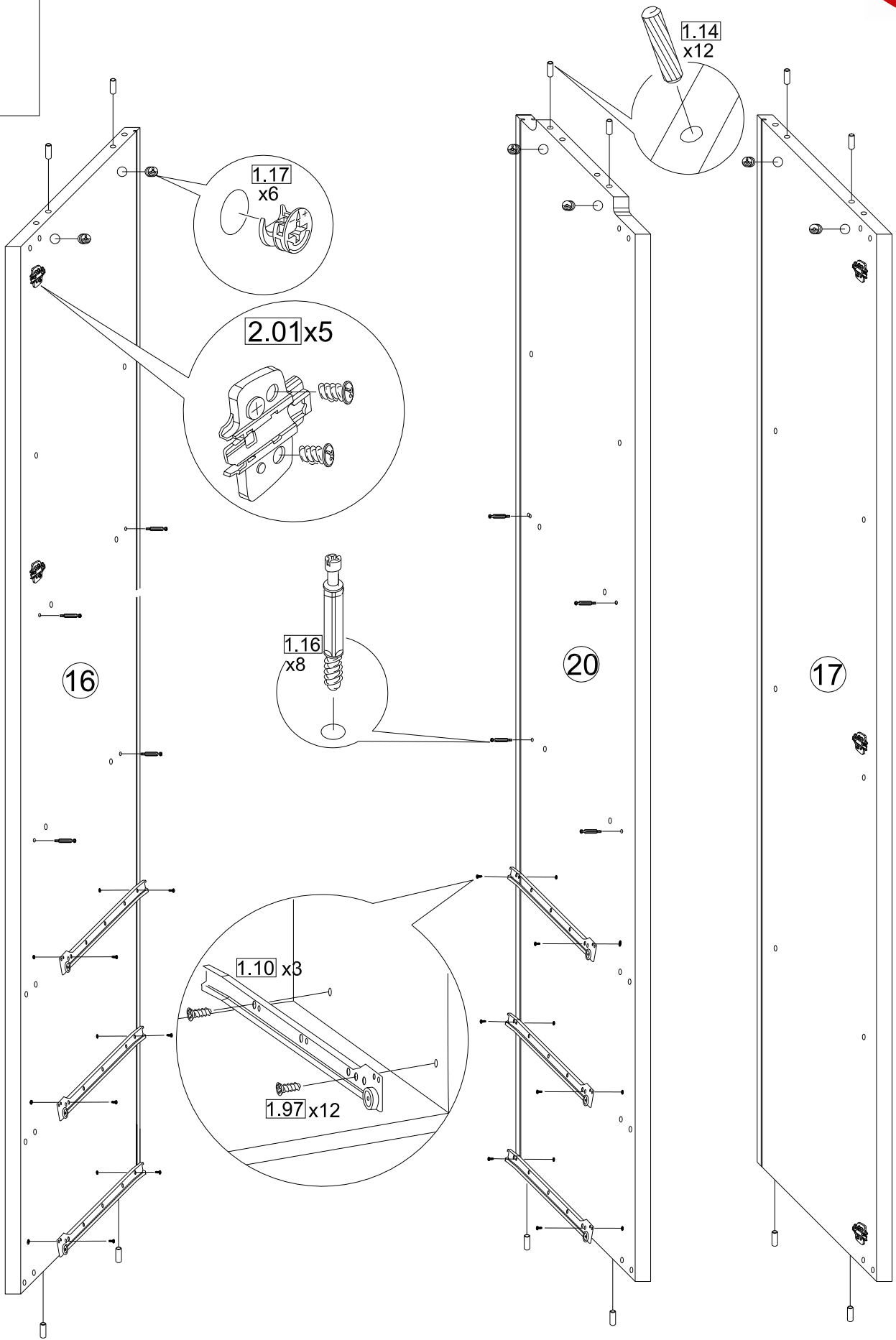


1	900**	472**	1
2	900**	472**	1
3	520**	470**	1
4	470**	195**	3
5	1460**	385**	1
6	374*	414	3
7	460*	414	1
8	400*	120	3
9	400*	120	3
10	403*	120	3
16	1490**	444	1
17	1490**	444	1
18	460**	444	1
19	460**	444	1
20	1512**	444	1
21	295*	424	1
22	460*	68	4
23	374*	68	2
24	538	470	1
25	305	470	1
26	633	234	2
27	1500	384	1
28	413	395	3
29	620		1
Legs	1700	480/50	2

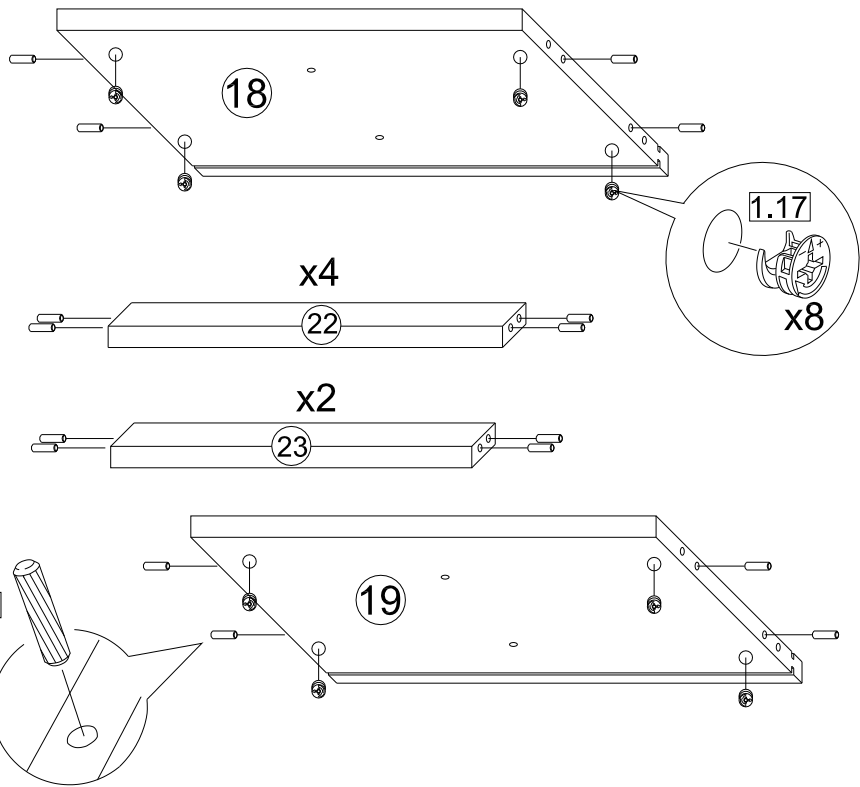
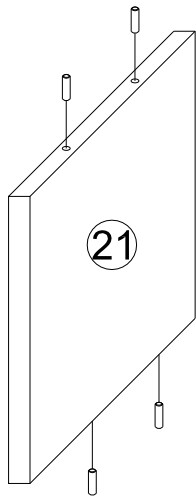
1.17  x21	1.16  x21	1.14  x60	1.32  x17	1.10  400mm x3	gray
1.99  x5	2.01  x5	D=0mm 1.5  3.5x16mm x20	1.6  x1	2.02  x20	1.98  x4
2.05  x16	2.06  160mm x5	2.07  22mm x10	1.7  x21	2.04  L-55mm M-6mm x4	
1.70  5x40mm x6	1.58  60mm x2	1.49  3,5x30mm x2	1.97  6.3x11mm x35		



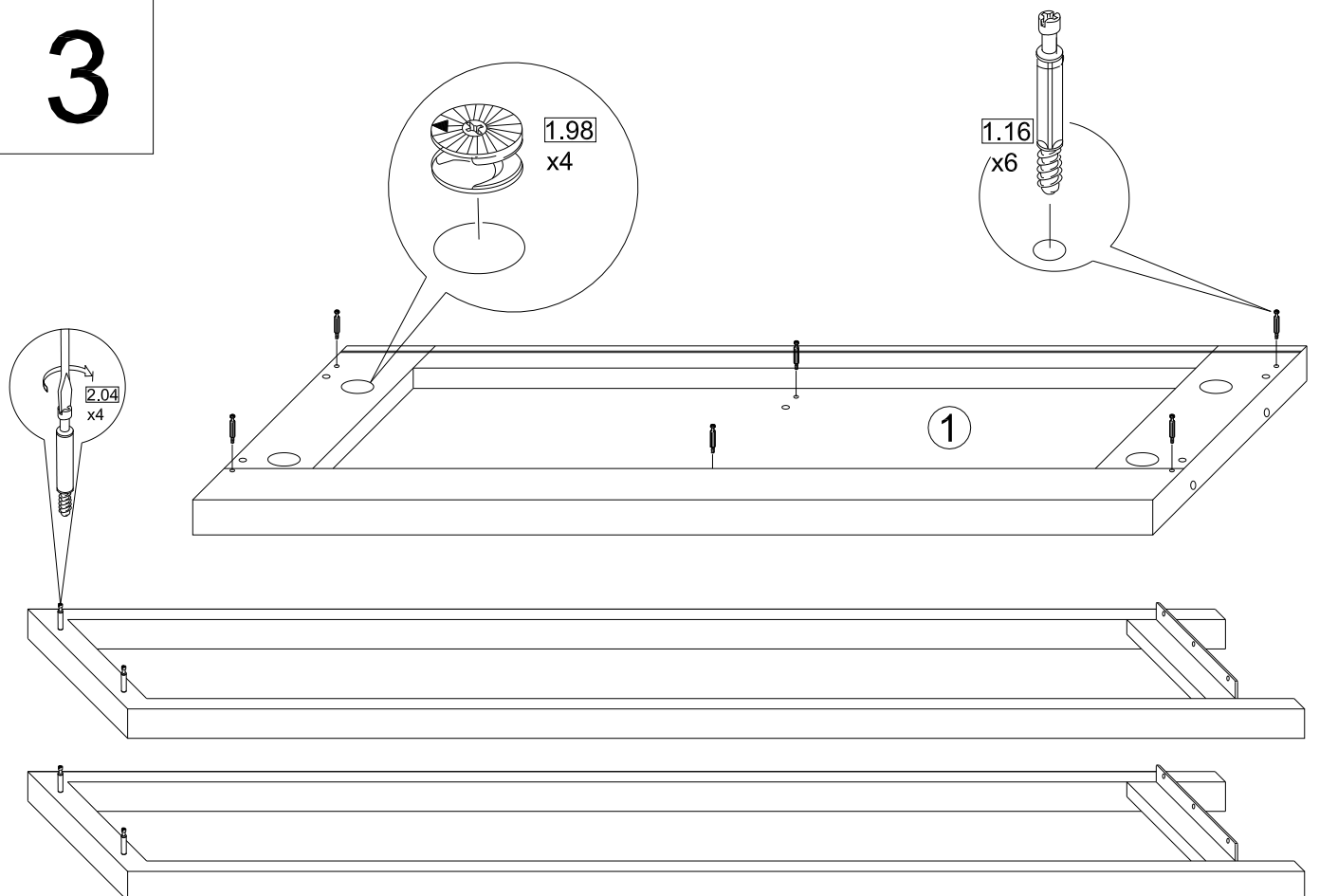
1



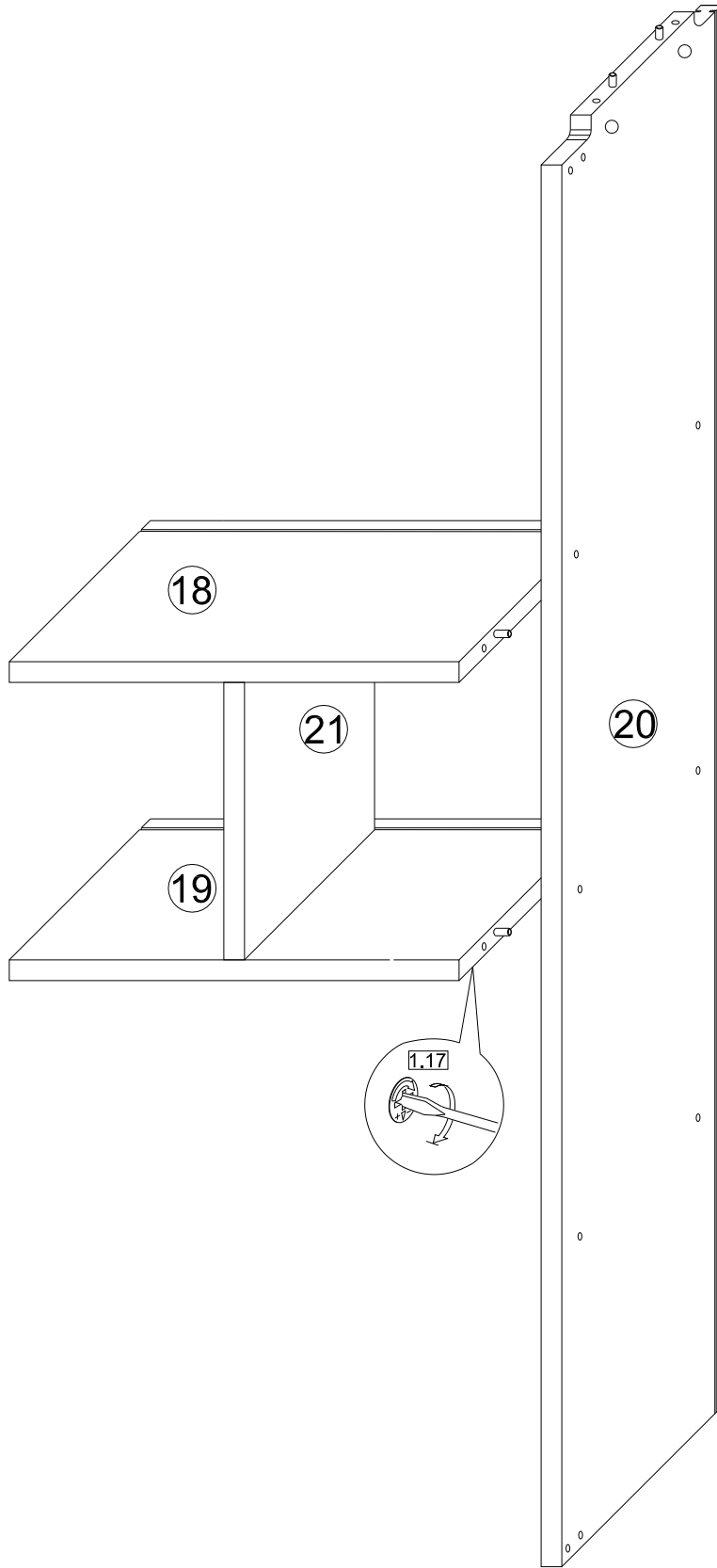
2



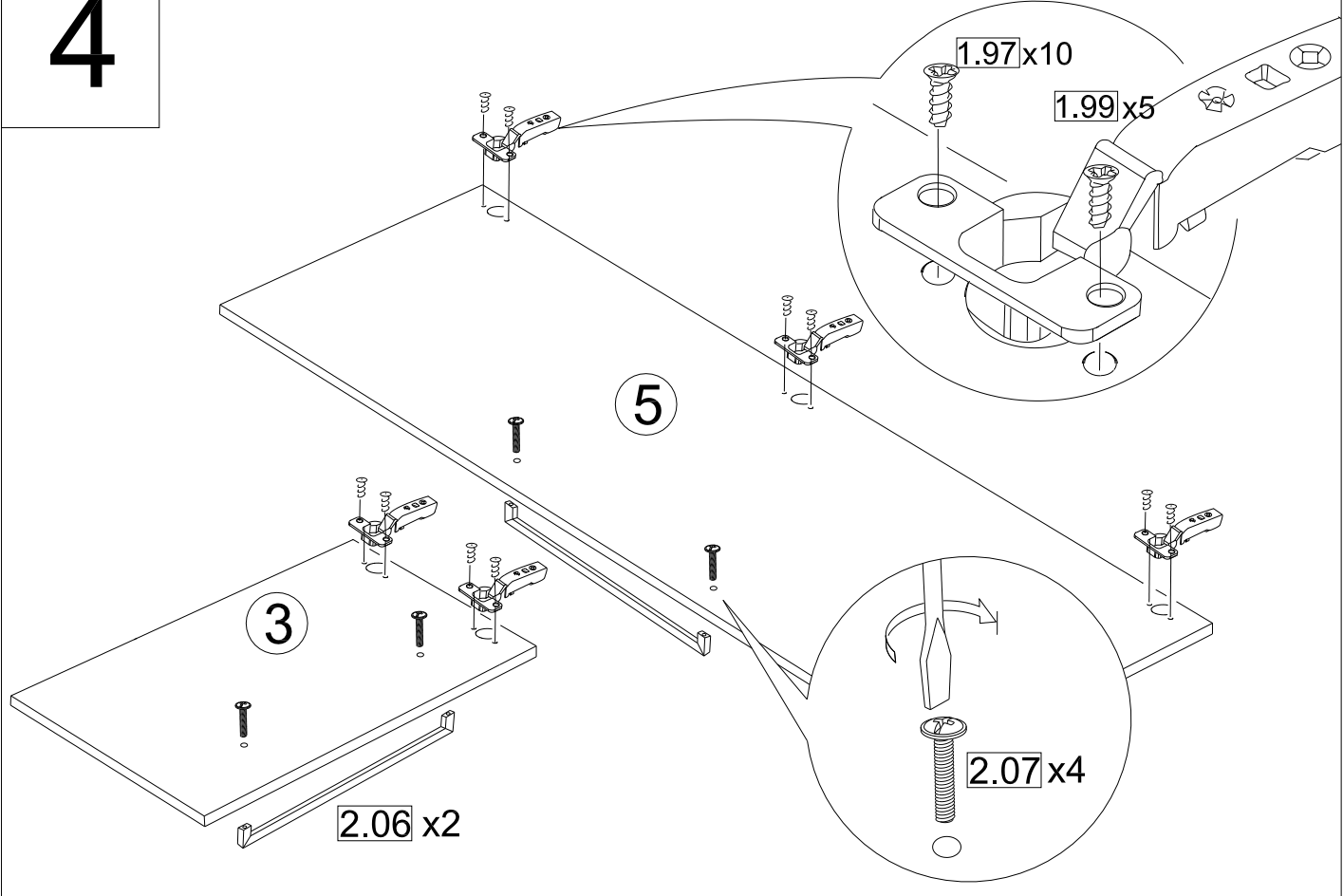
3



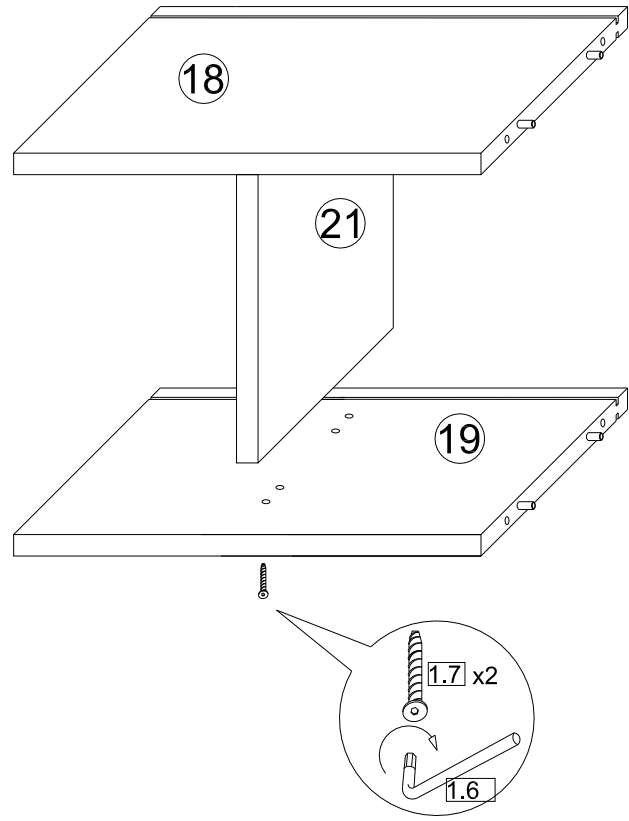
6



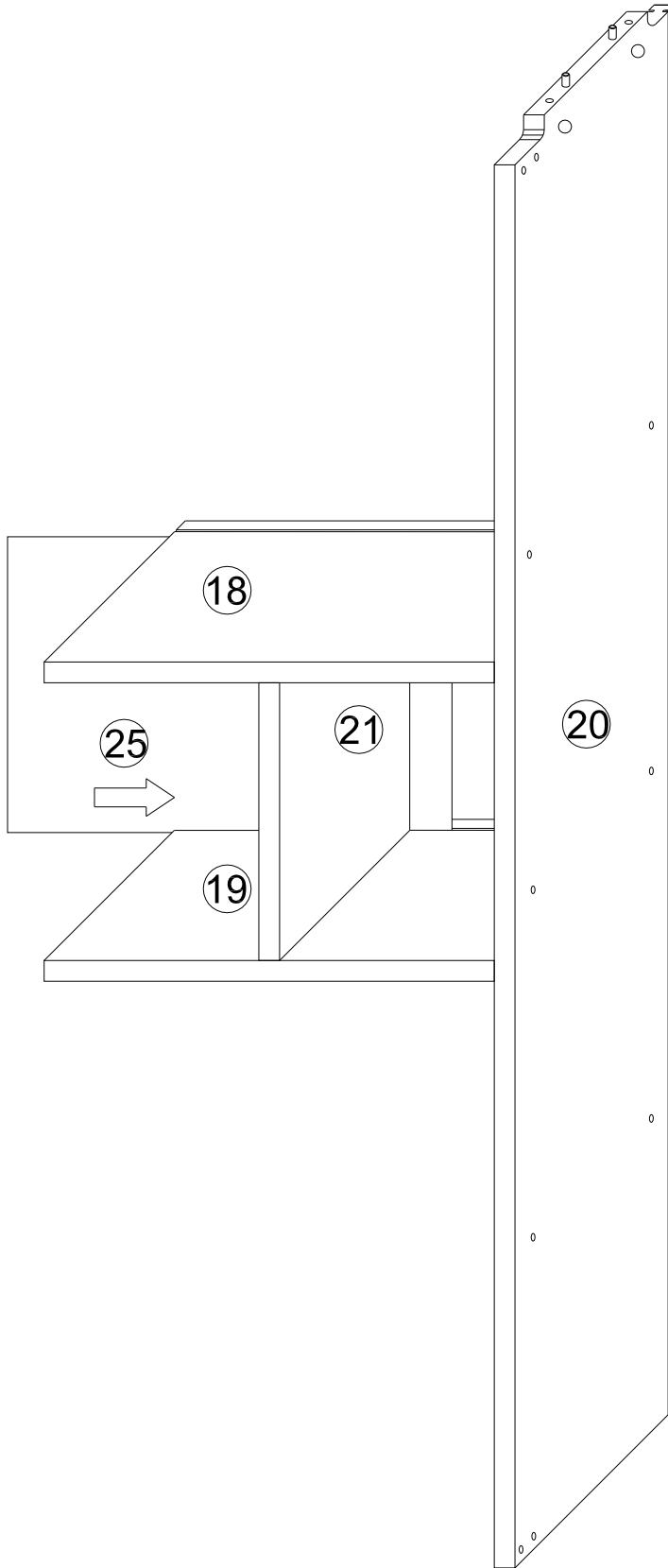
4



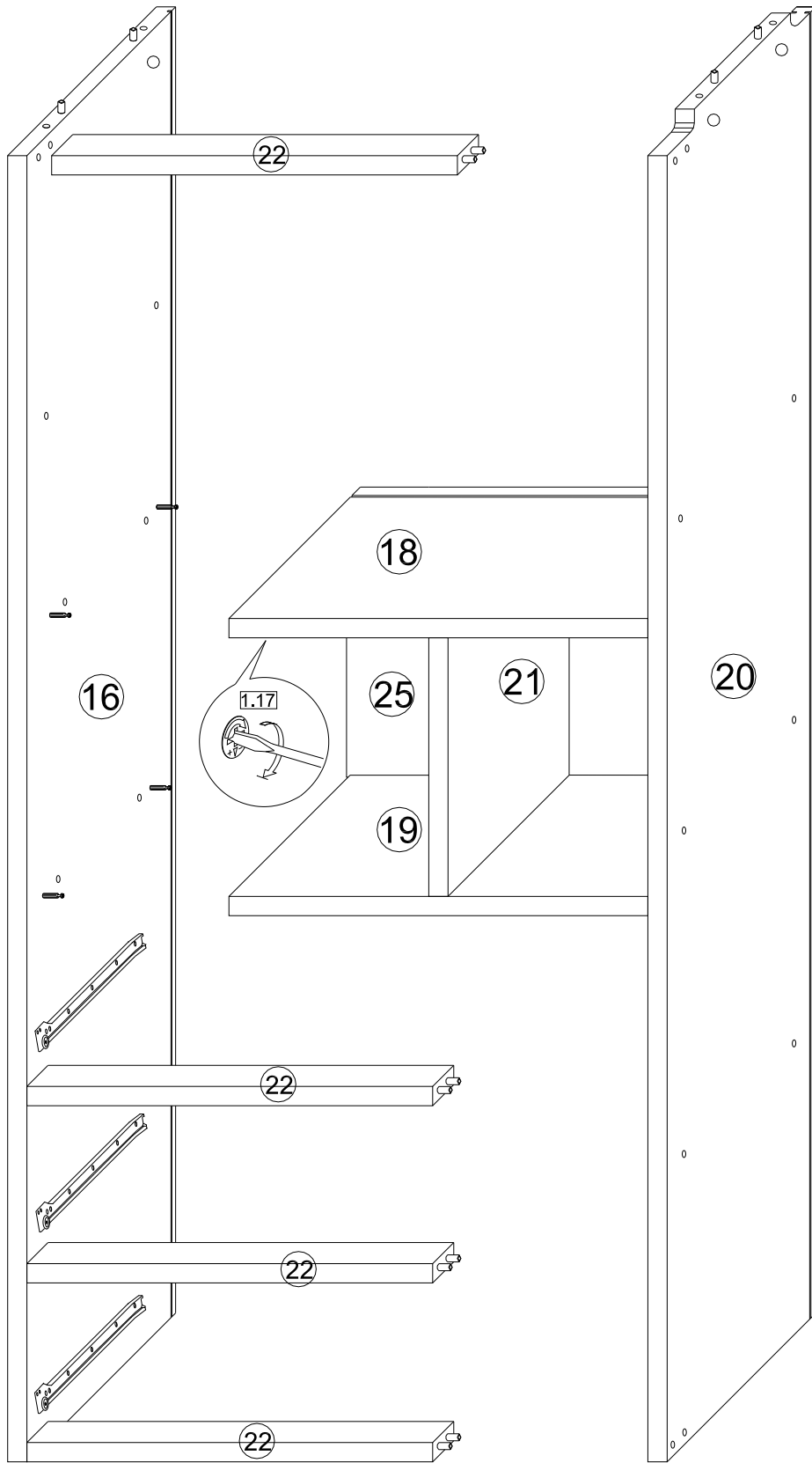
5



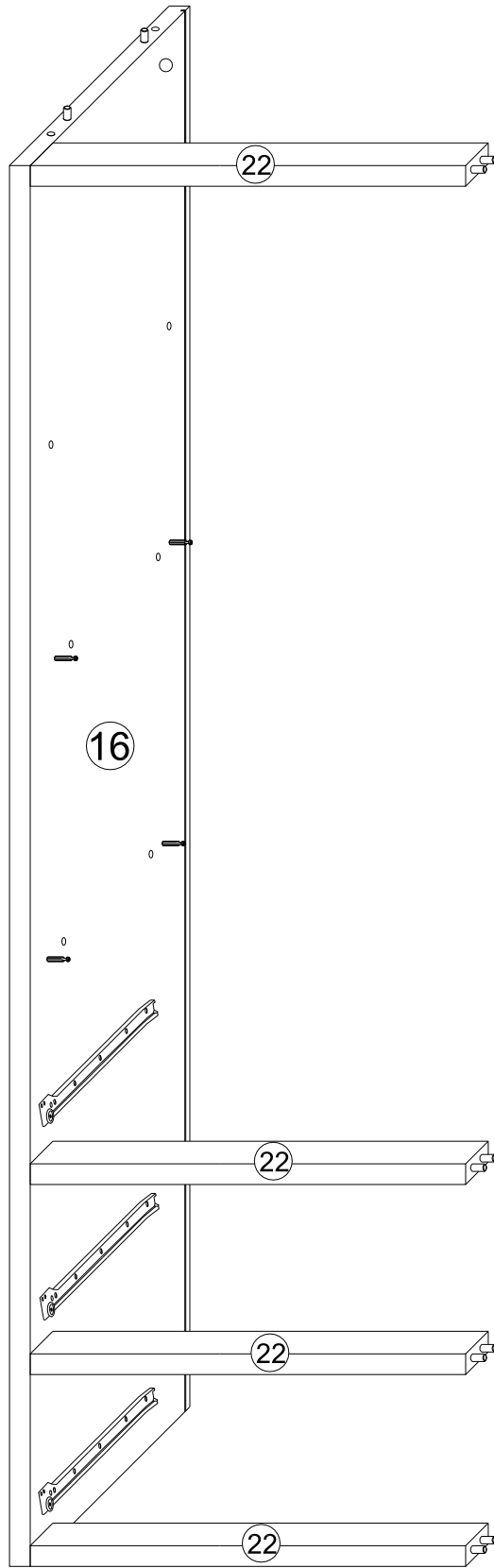
7



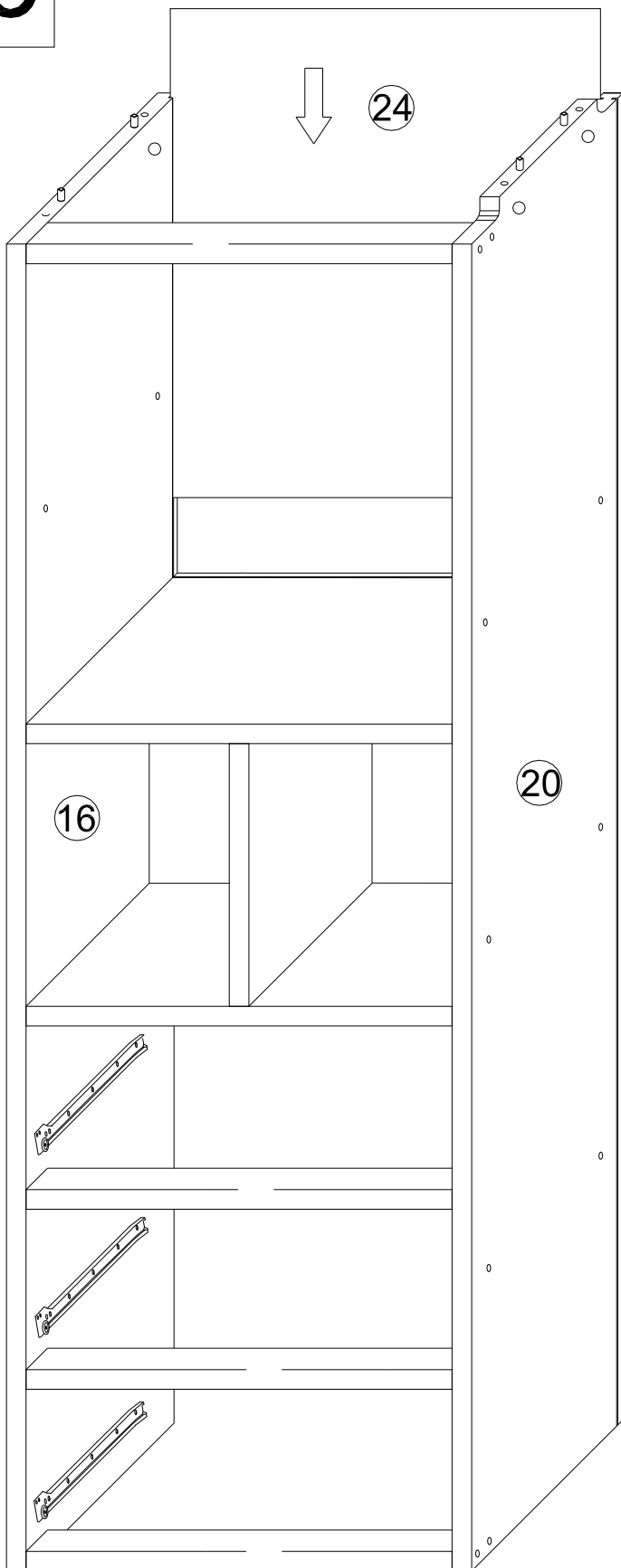
9



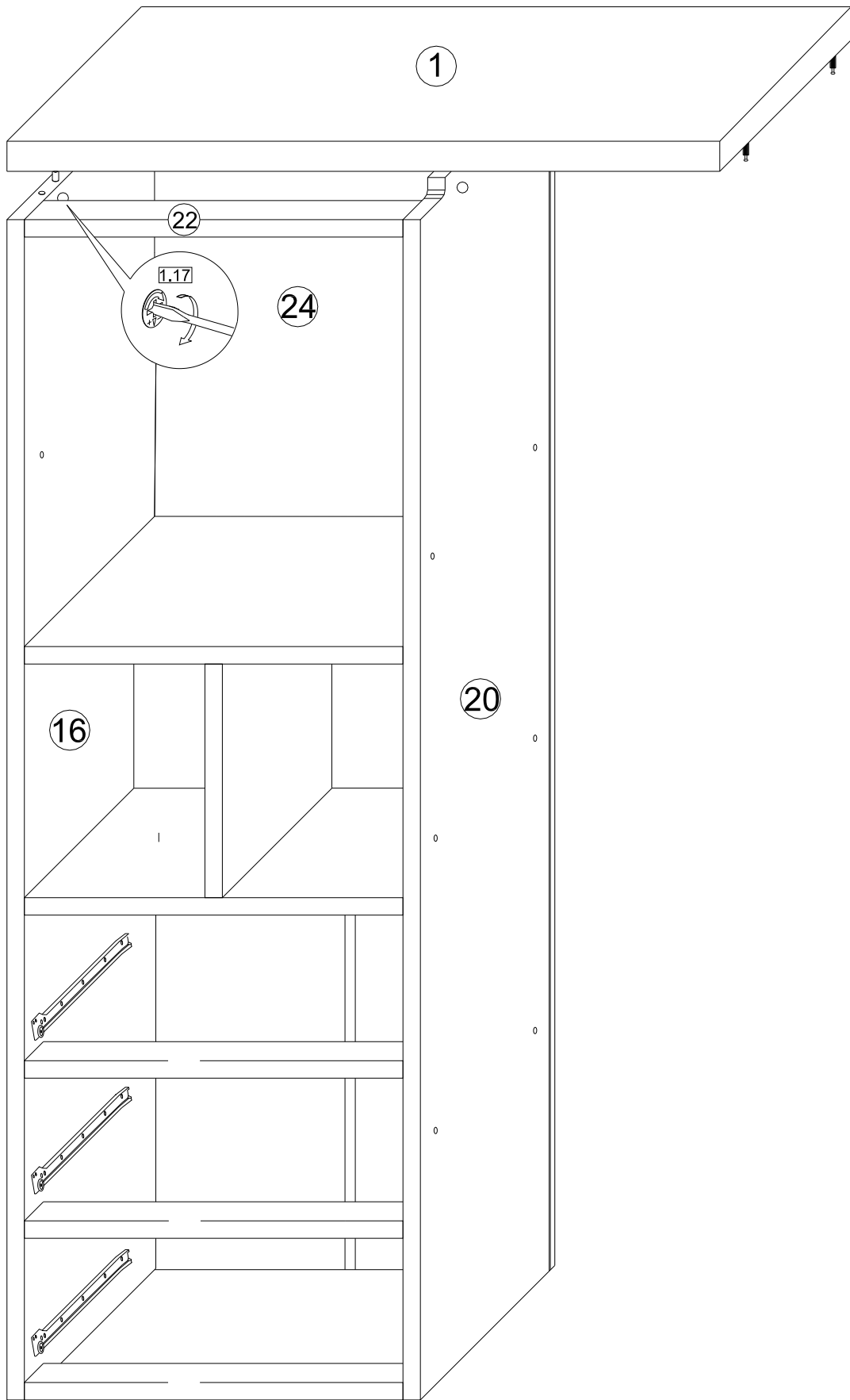
8



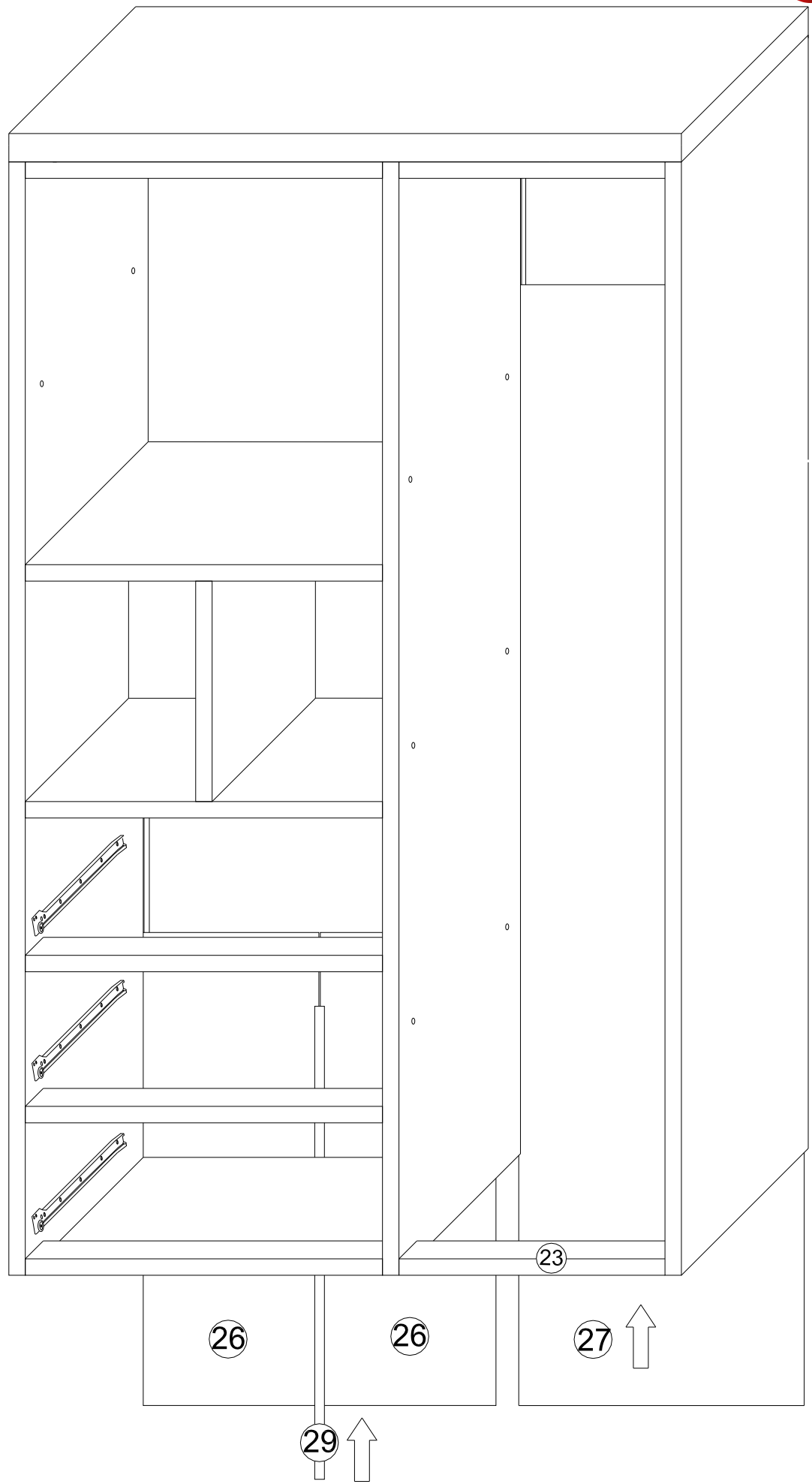
10



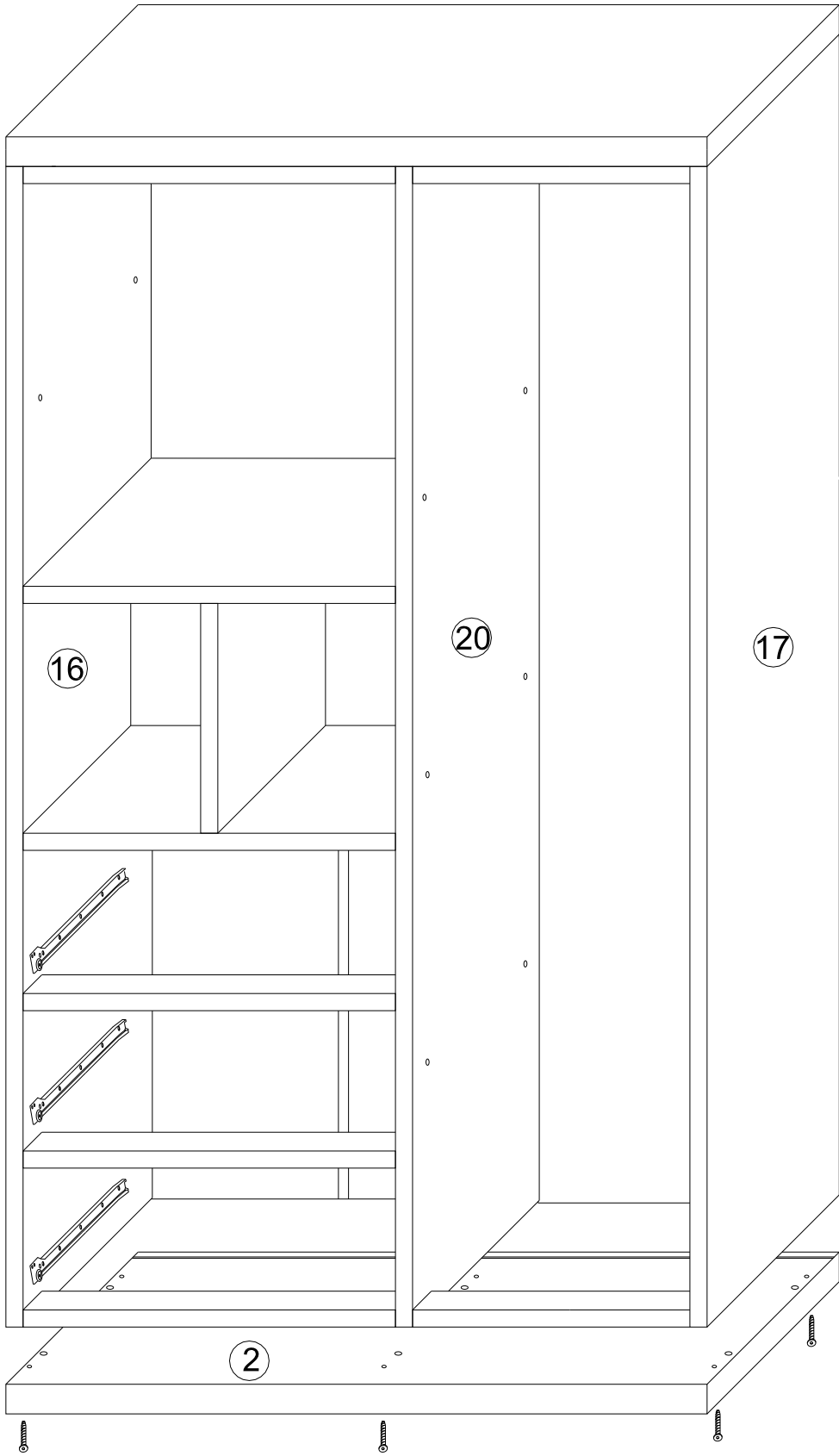
11



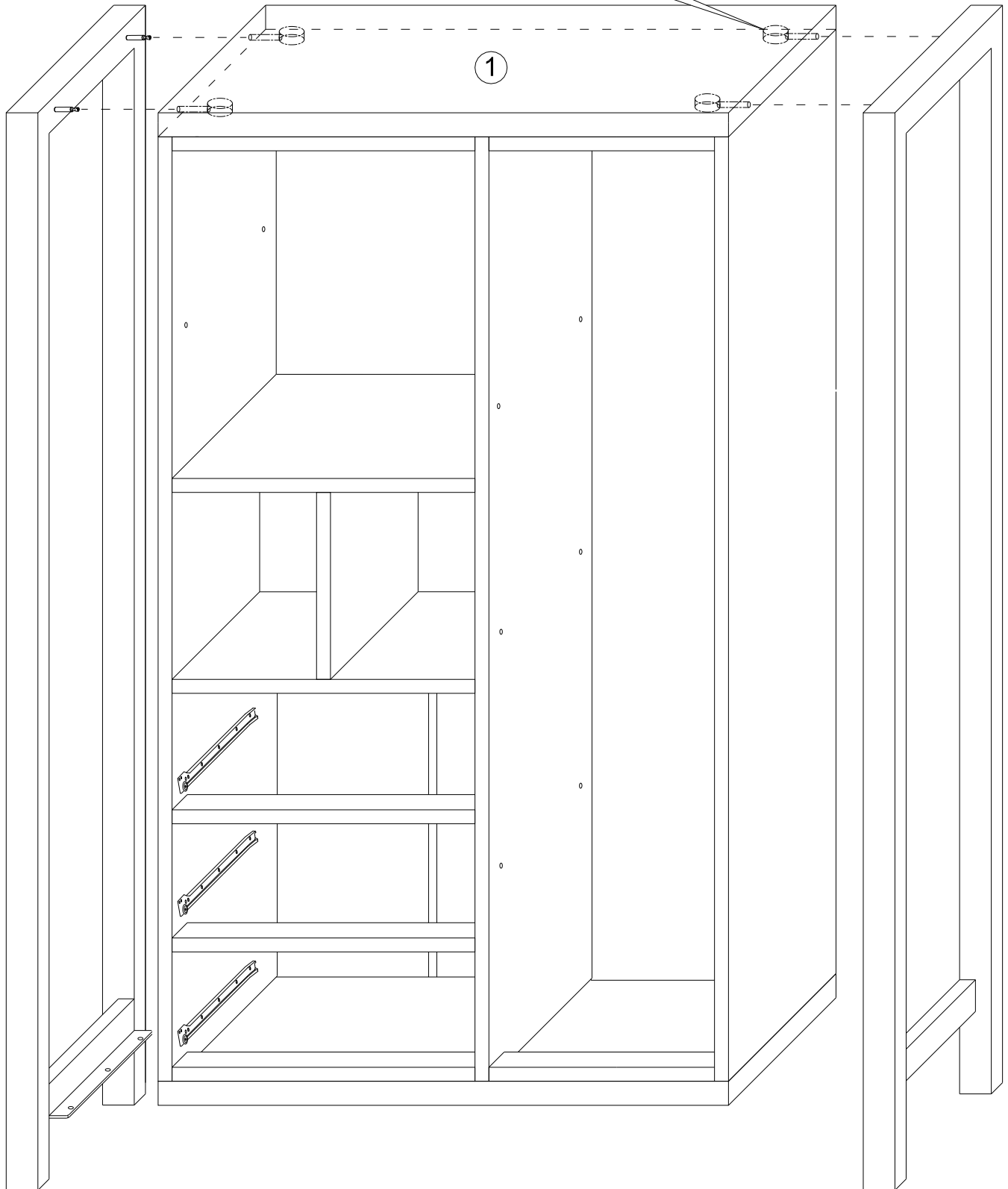
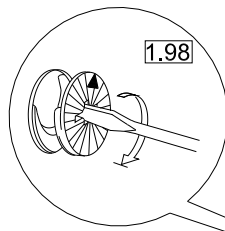
13



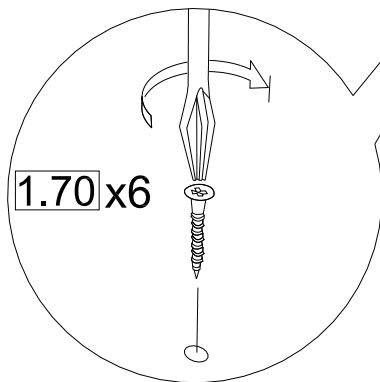
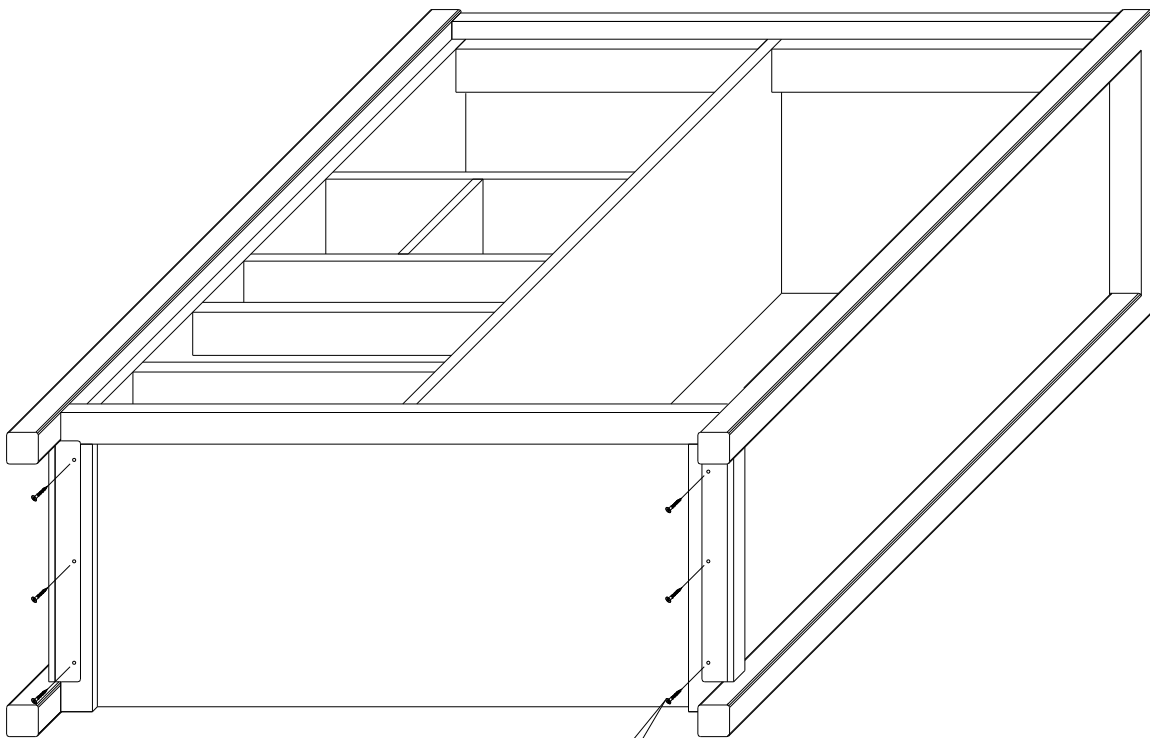
14



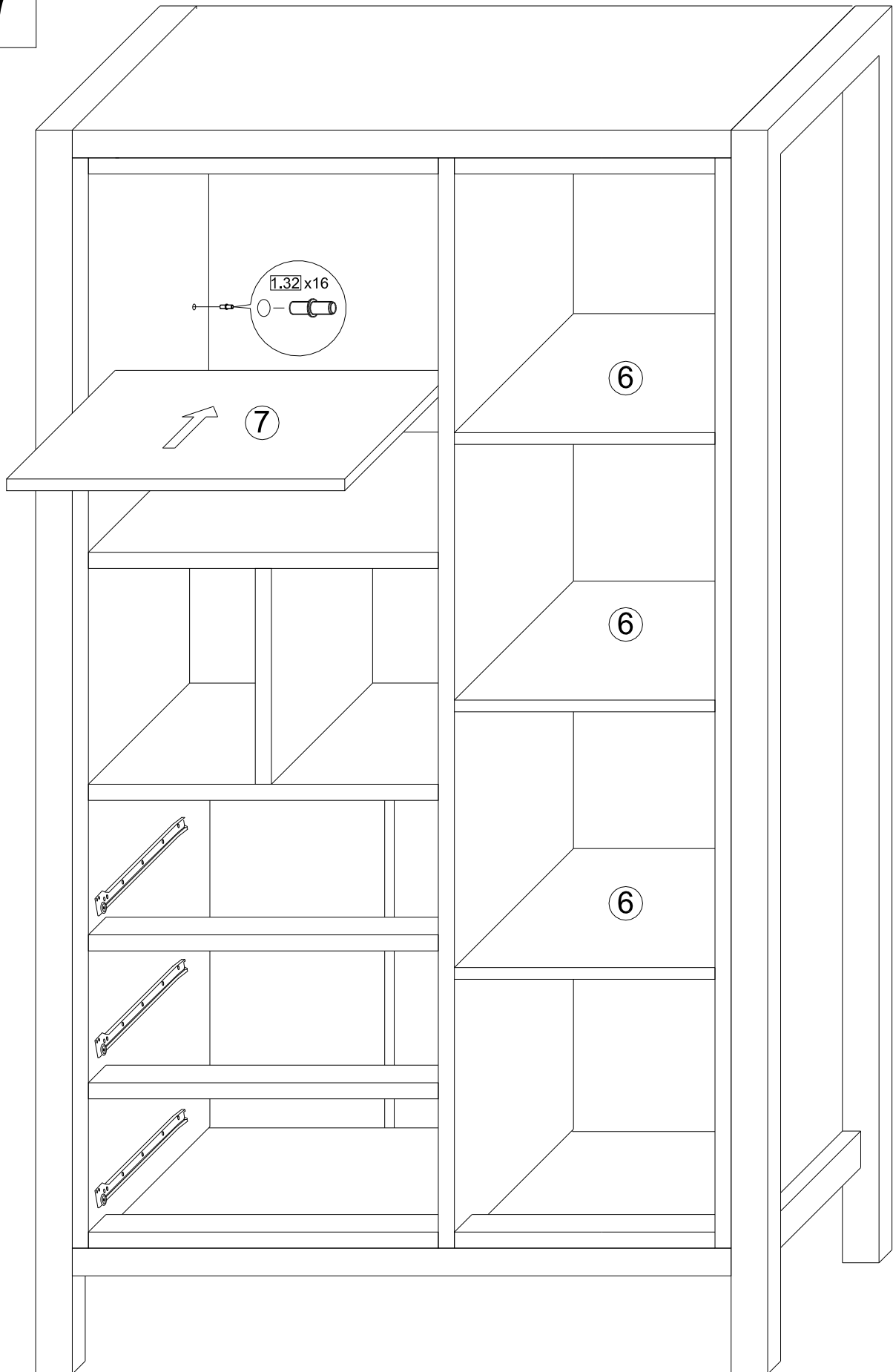
15



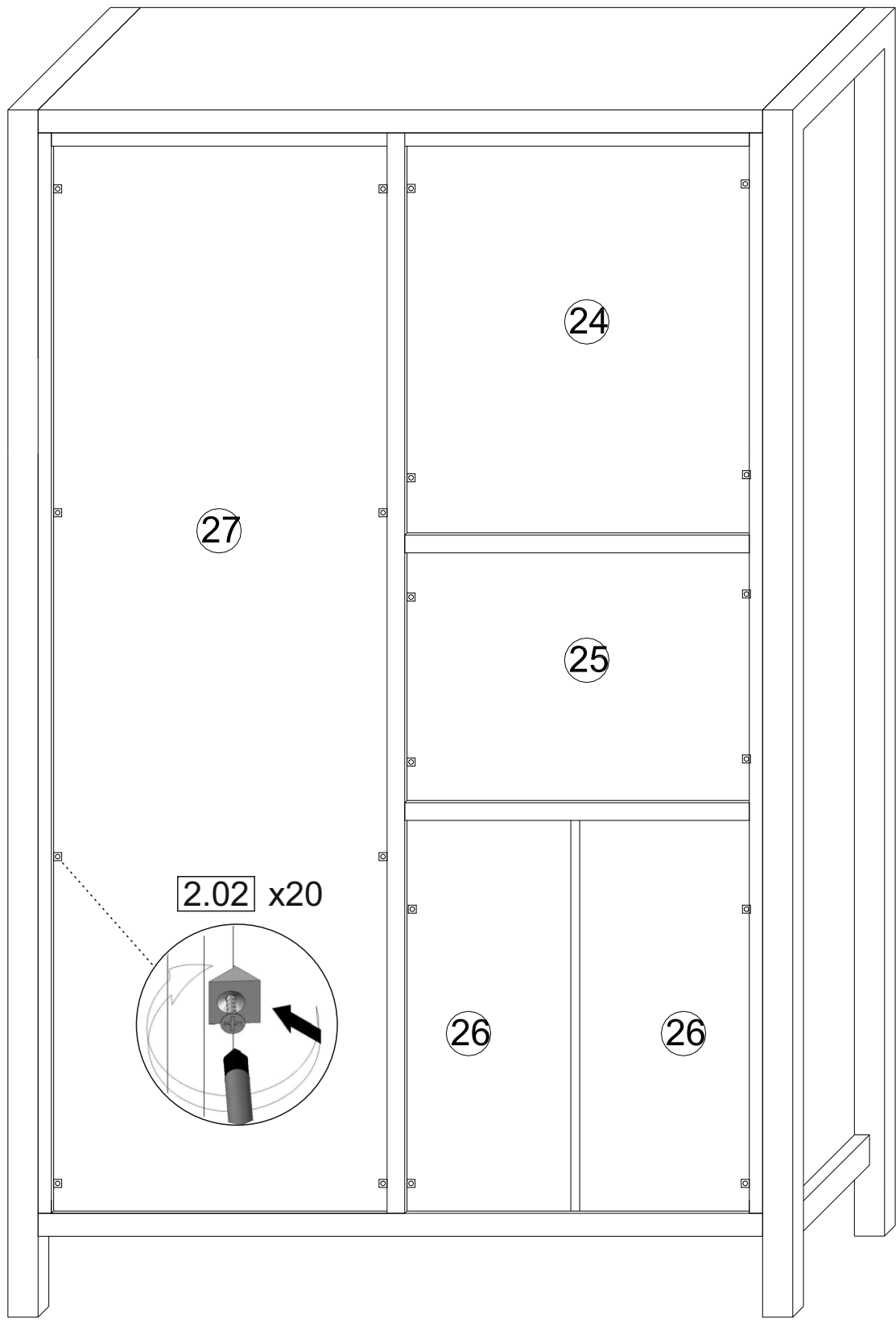
16



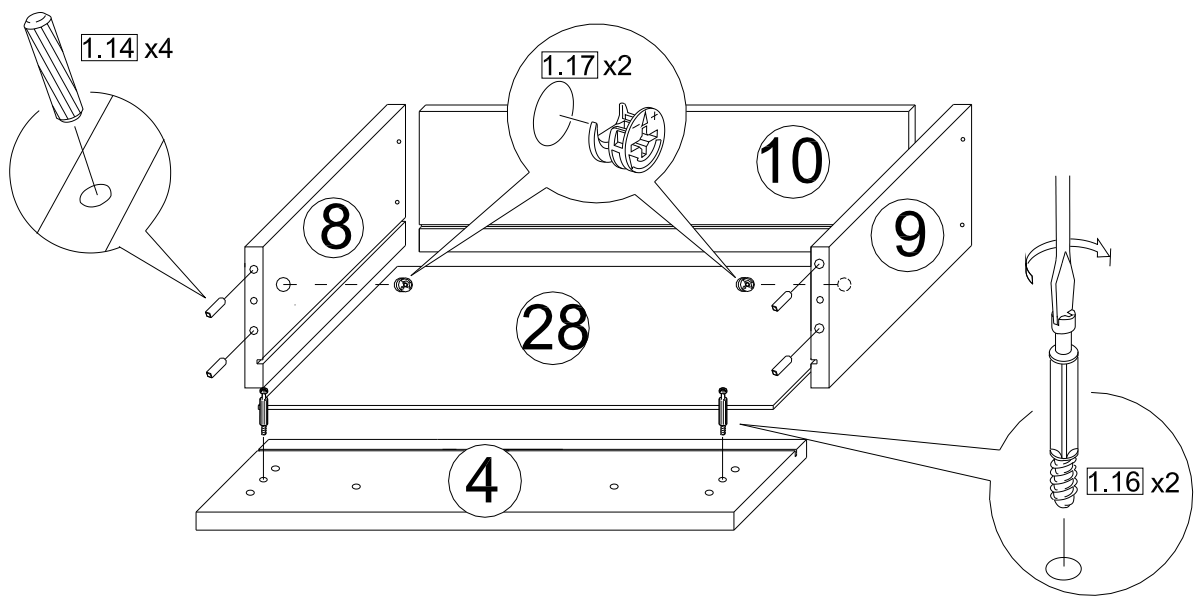
17



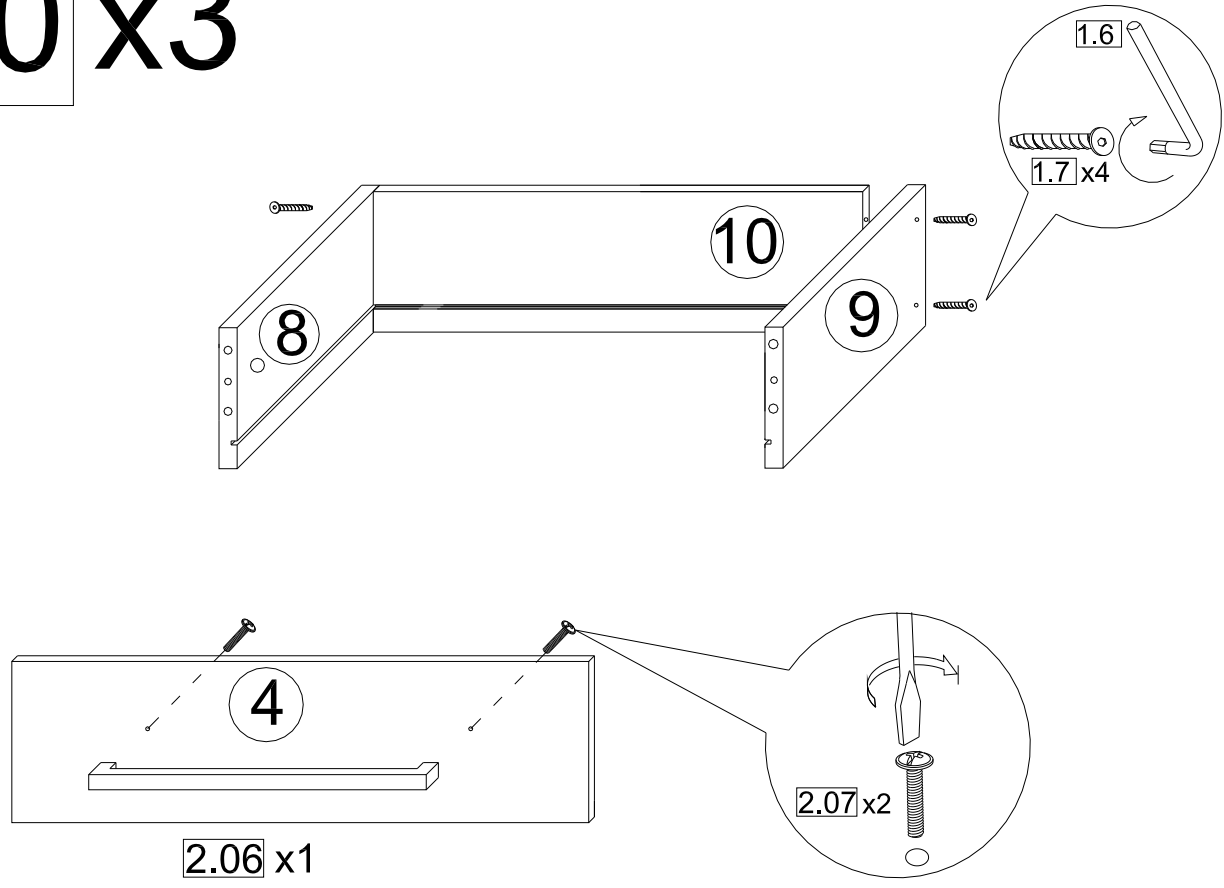
18



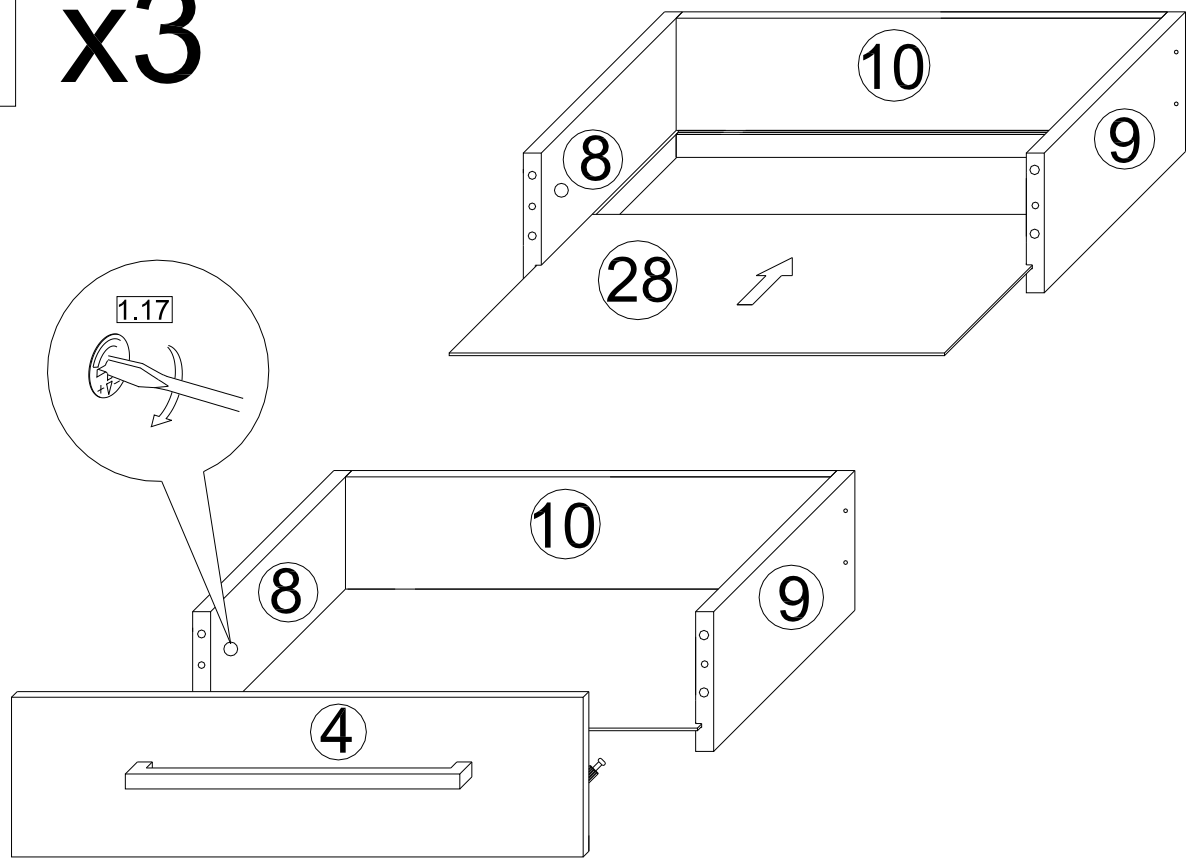
19 x3



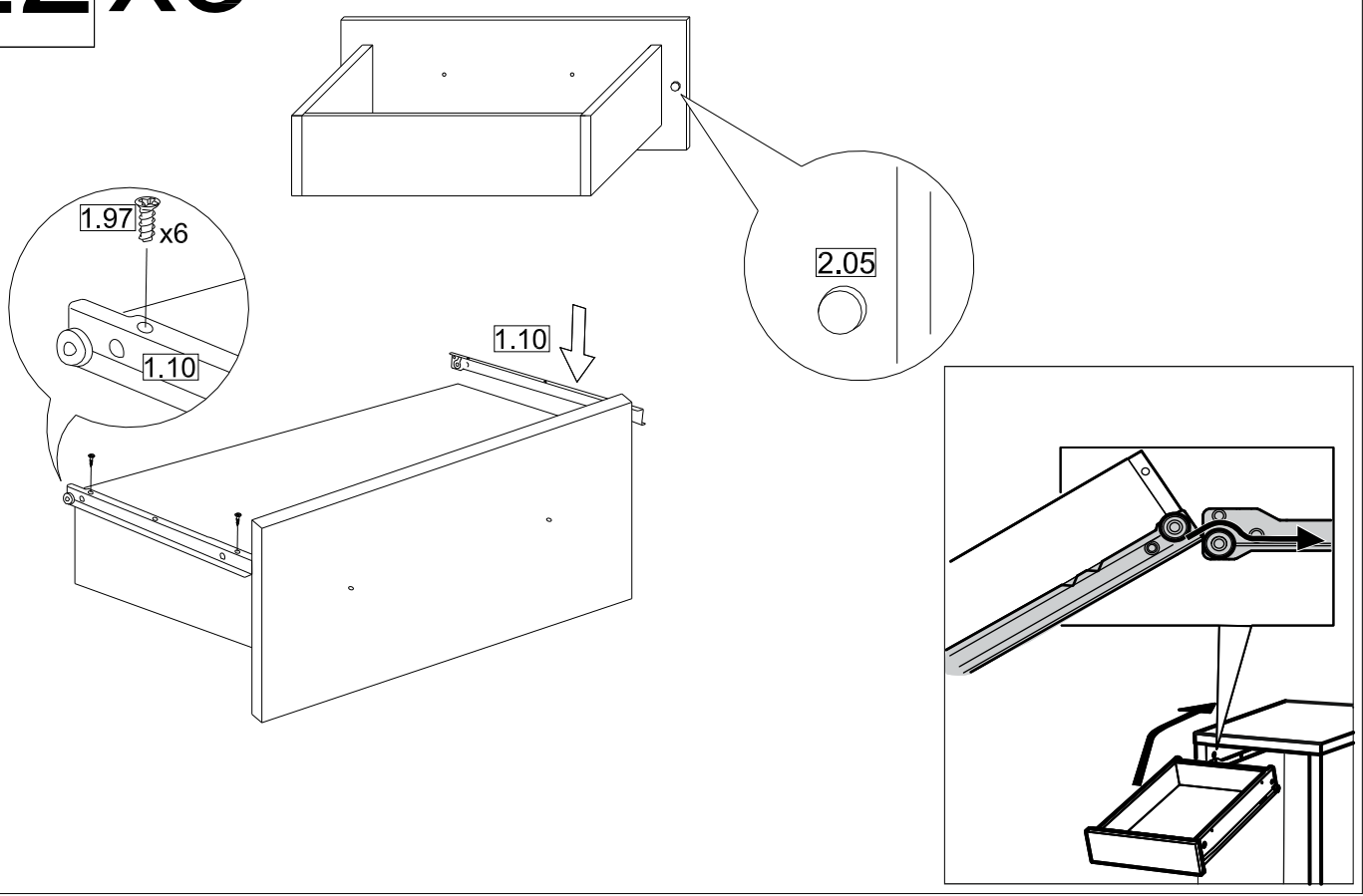
20 x3



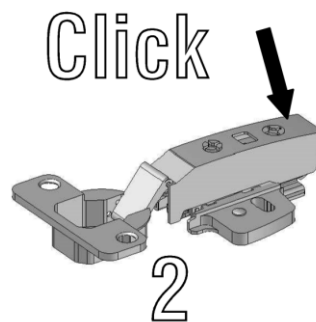
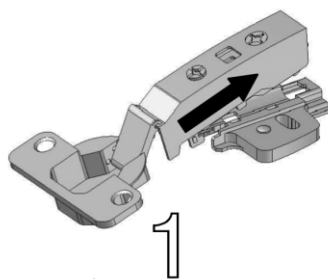
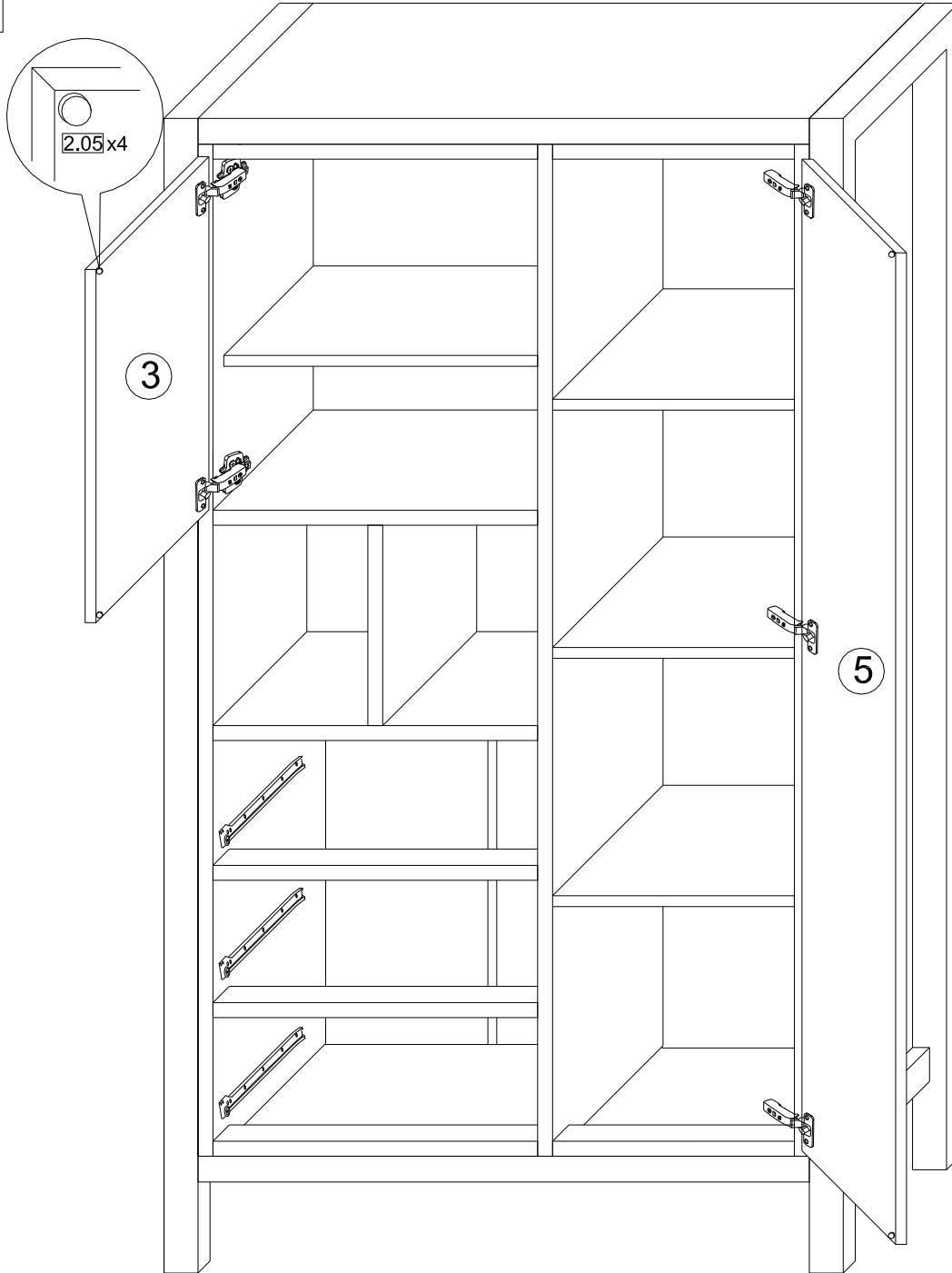
21 x3



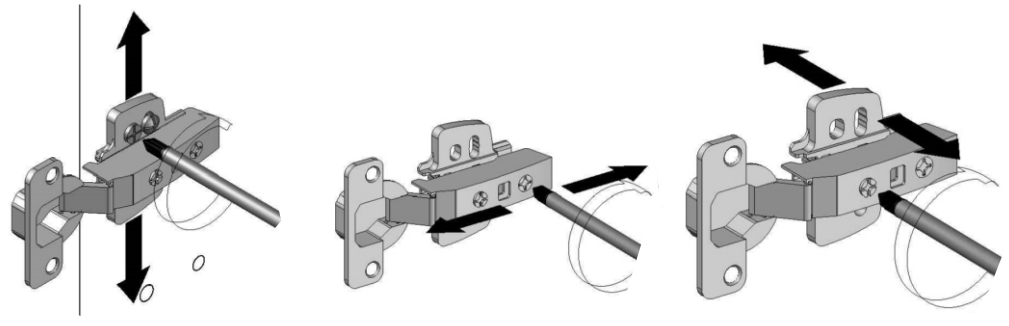
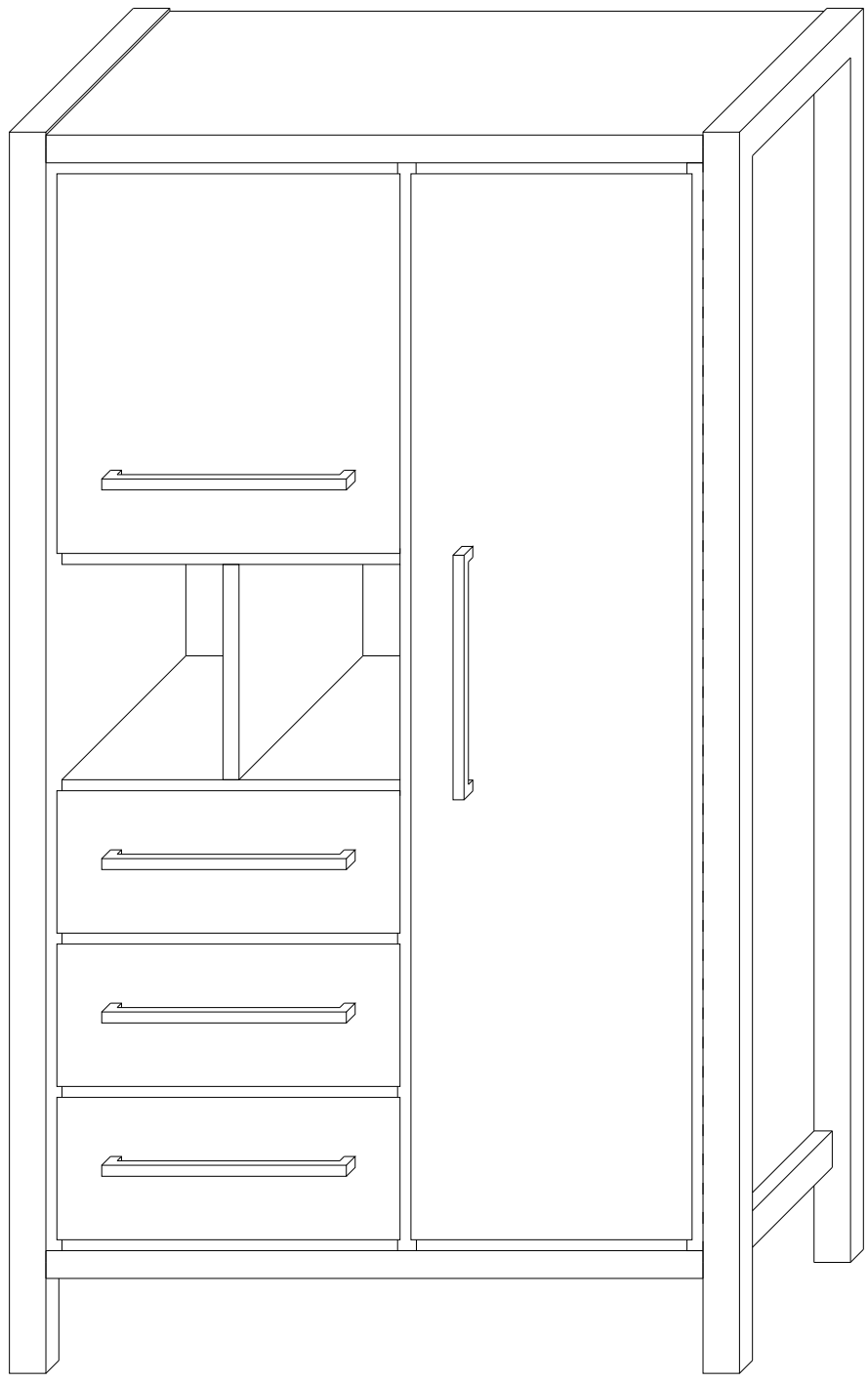
22 x3



23



23



GB Urgent advice:

If you have bought a high wall cabinet, we ask you to first flatten the furniture at the desired location and then fix it to the wall with the pre-assembled strips. This to prevent possible tilting of the cabinet and preventing anyone to get injured. Plugs and screws for mounting the cabinet to the wall, are not included because the kind of plugs and screws you need is depending on the type of wall. We recommend to buy it from your local hardware store and ask for advice if necessary. After drawing and drilling (with the right drill), place the plug before screwing the strip. Prevent incorrect assembly or injury of any kind.

