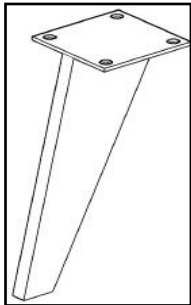
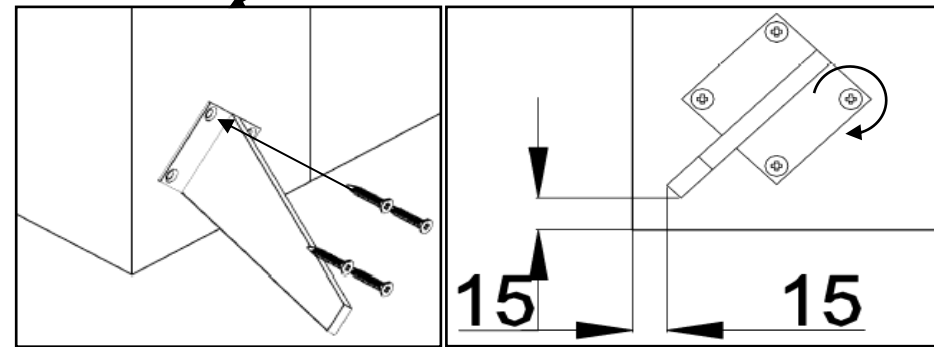
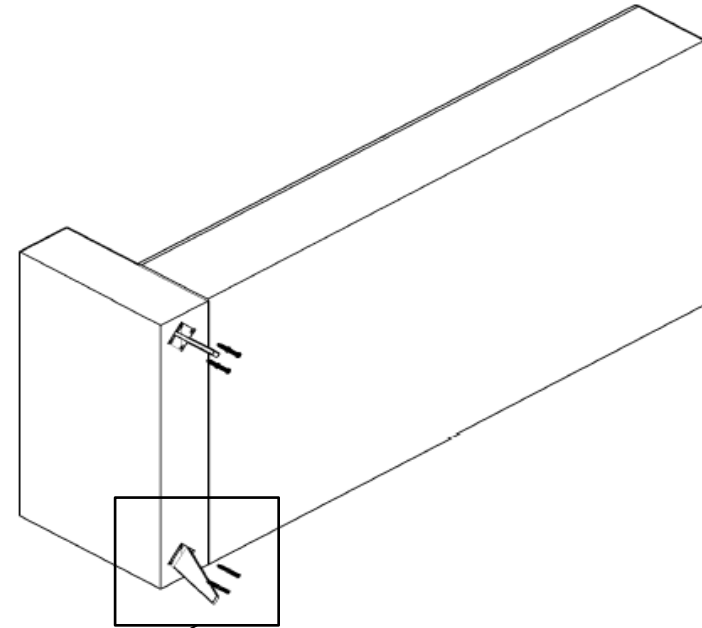
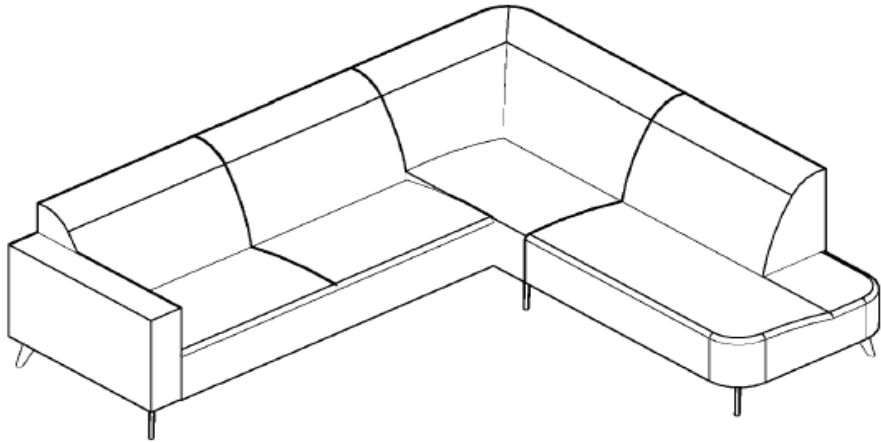
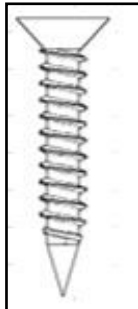


### Open corner / assembly instruction



**Leg x 8**



**x 32**

# Open corner / assembly instruction

