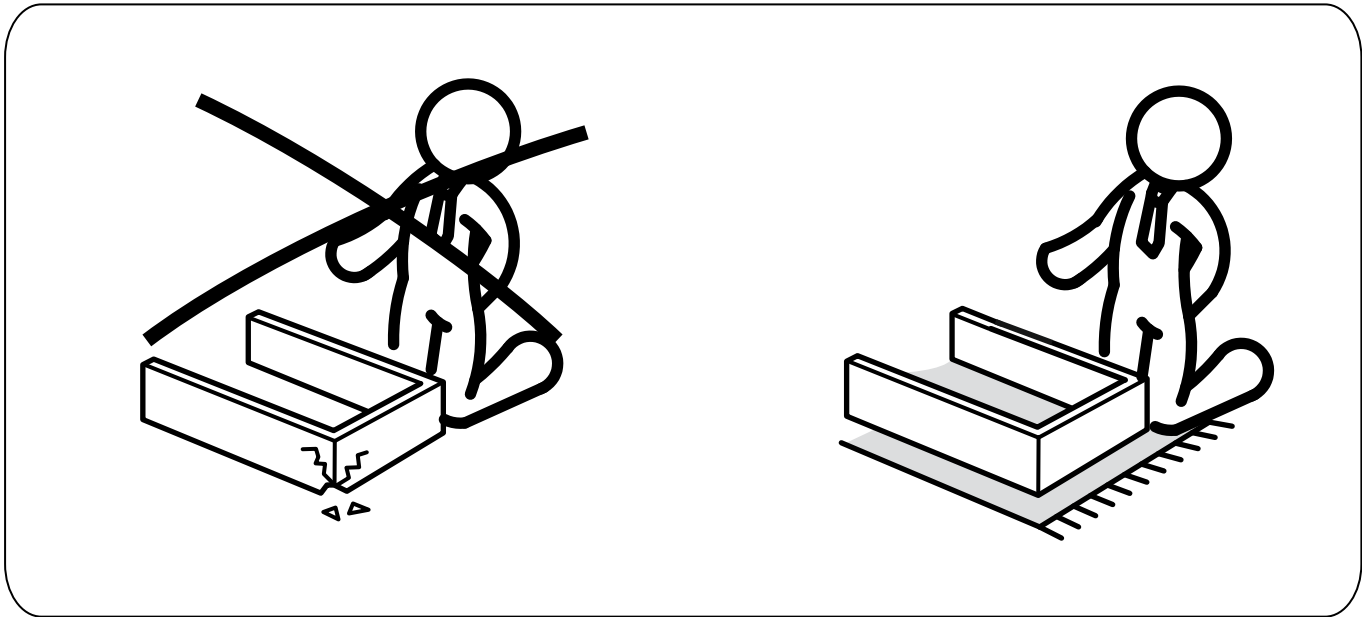
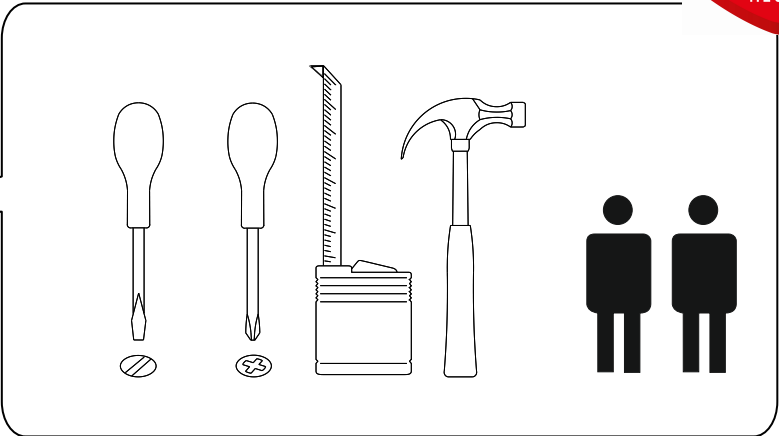
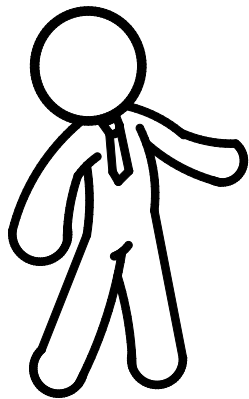
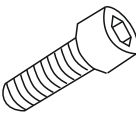
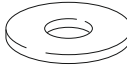
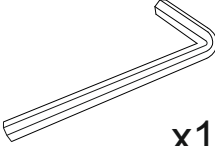
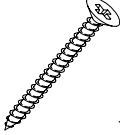


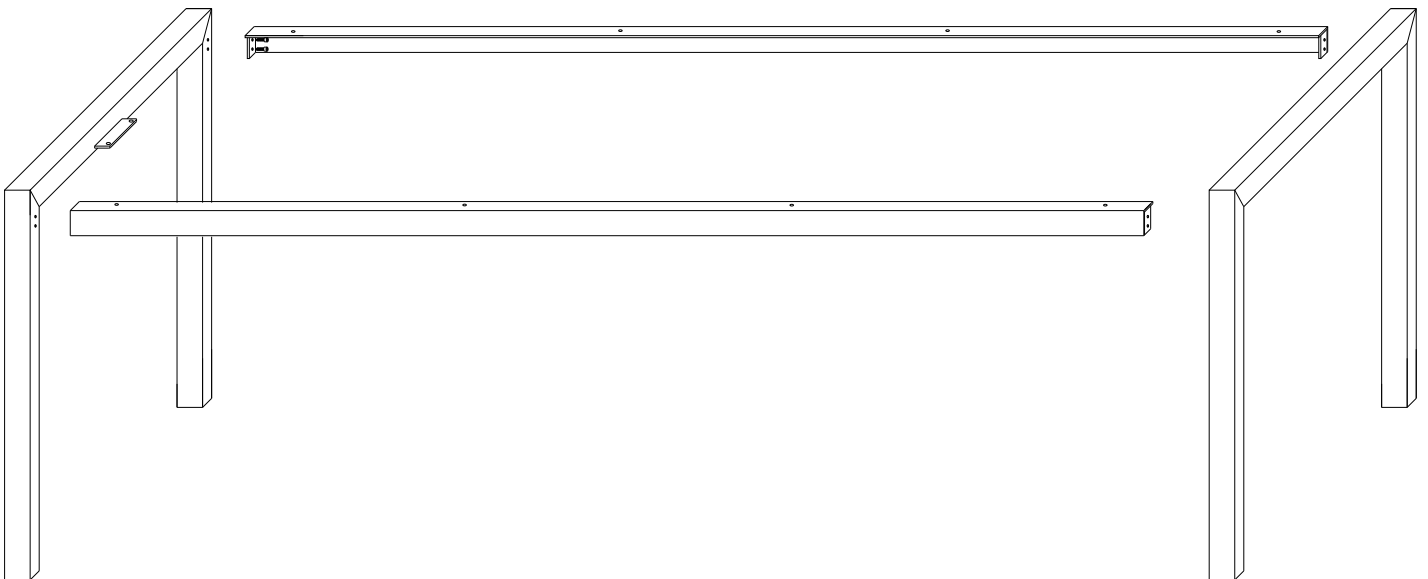
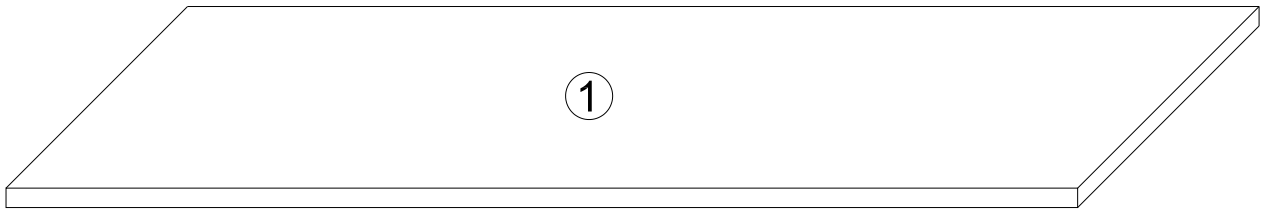
# Navy KA 221



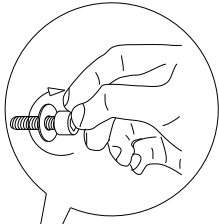


1	2100**	996**	1
<b>Legs</b>	762	1004/50	2
<b>Support</b>	2100	50/50	2

2.09	2.10	2.11	6mm	1.70	5x40mm
M6x20mm	M6x12x1.6mm				
 x8	 x8	 x1		 x12	



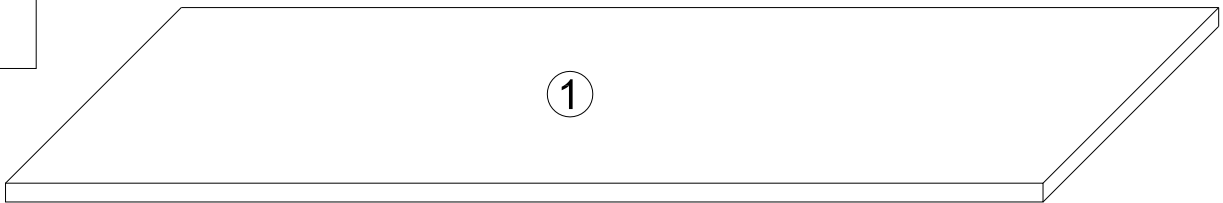
1



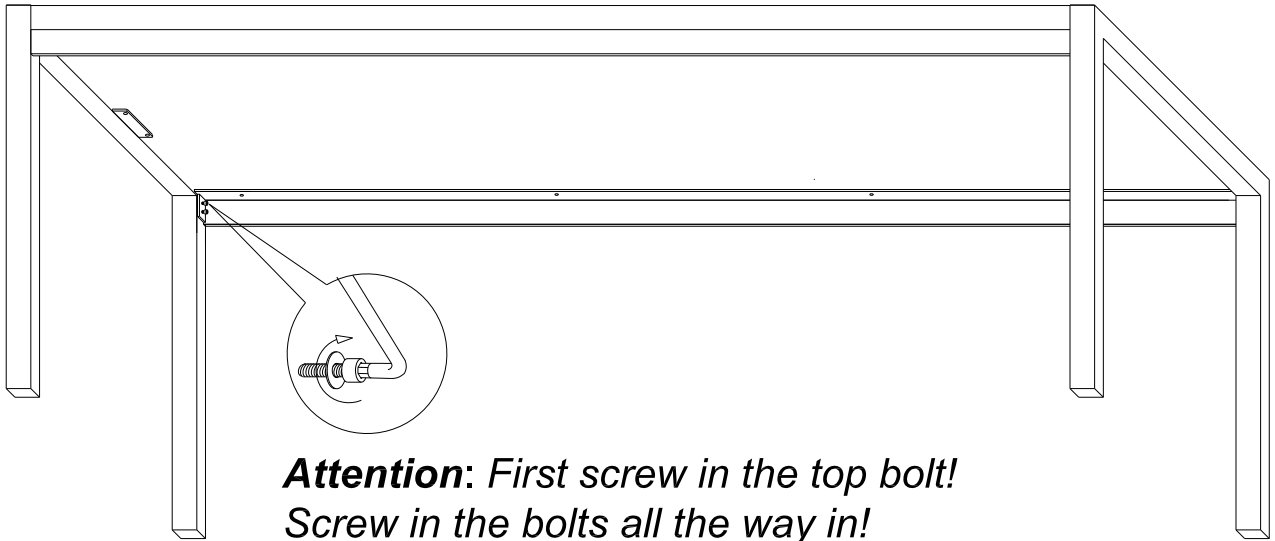
**Attention:** Screw in the bolts 80% by hand before placing the table top!



2

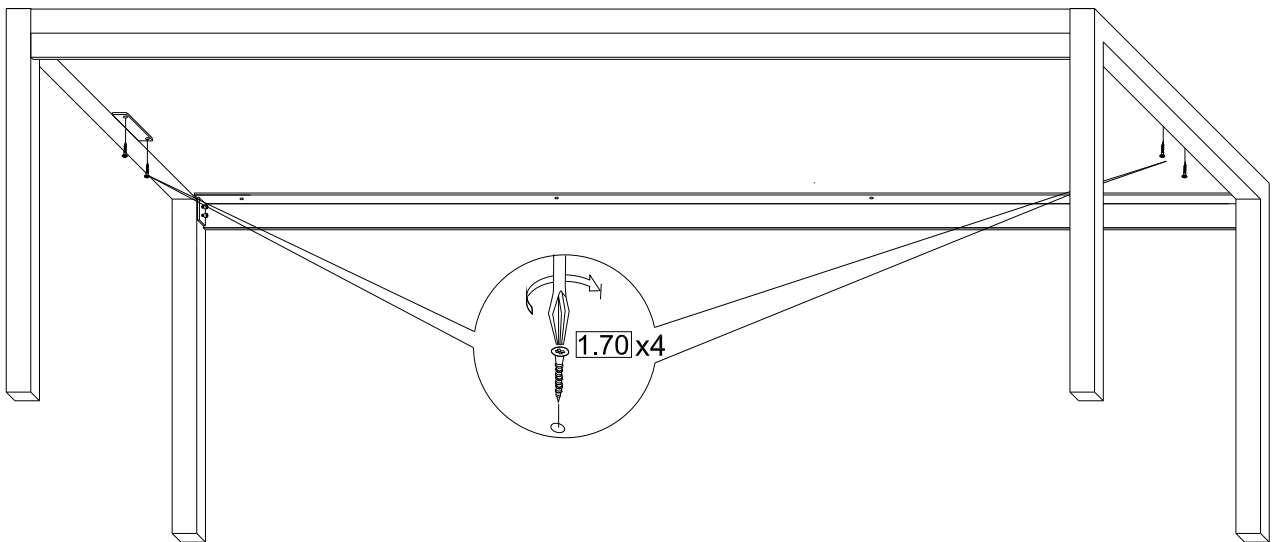


3



**Attention:** First screw in the top bolt!  
Screw in the bolts all the way in!

4



5

