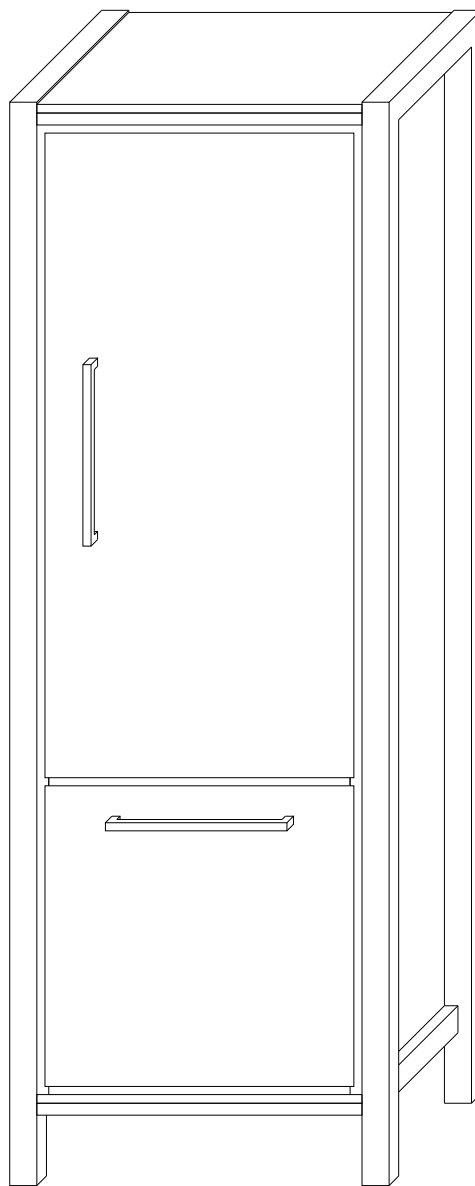
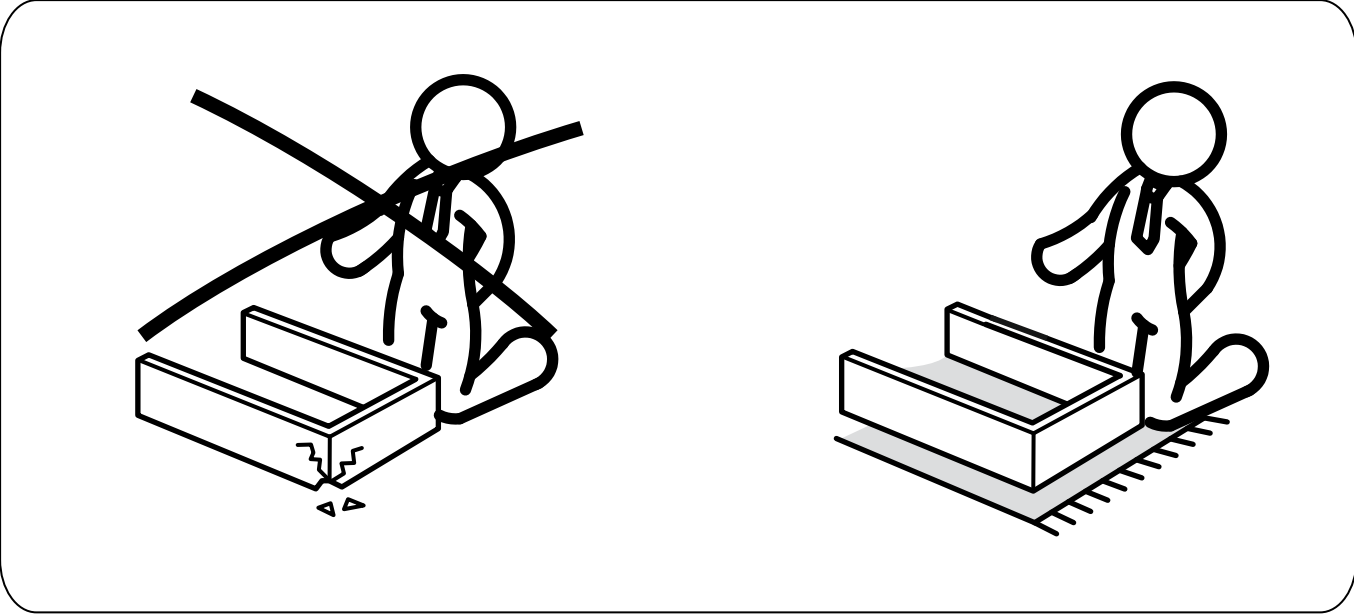
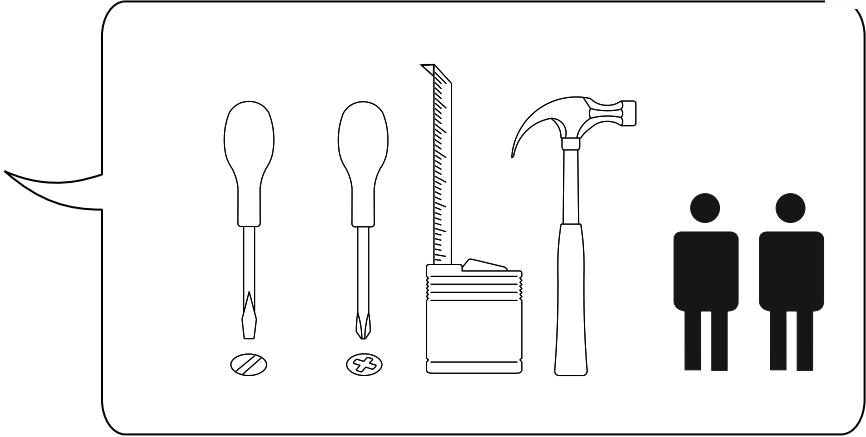
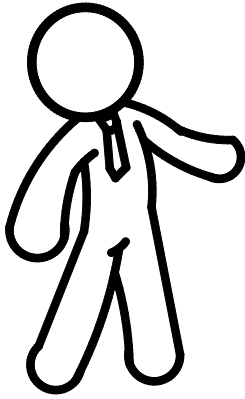

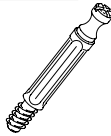
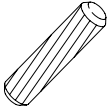

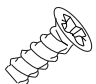

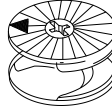
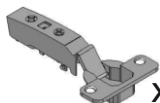
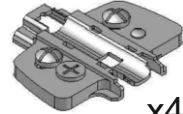

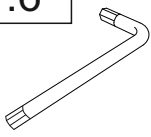

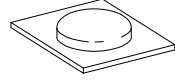
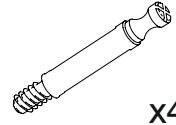
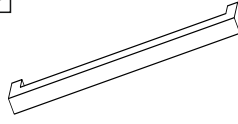

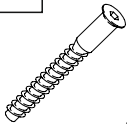

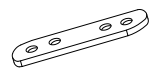


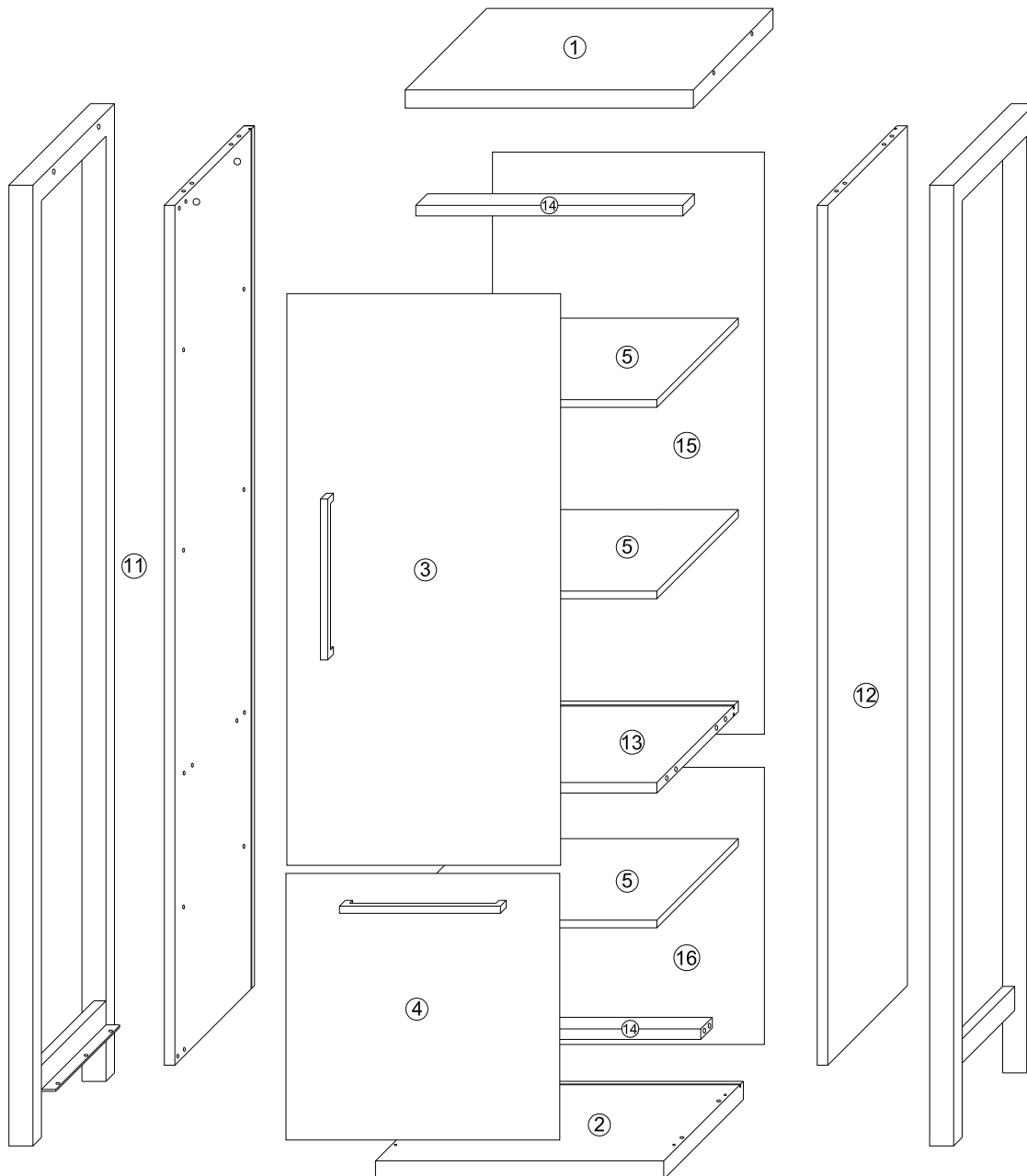
Navy EA



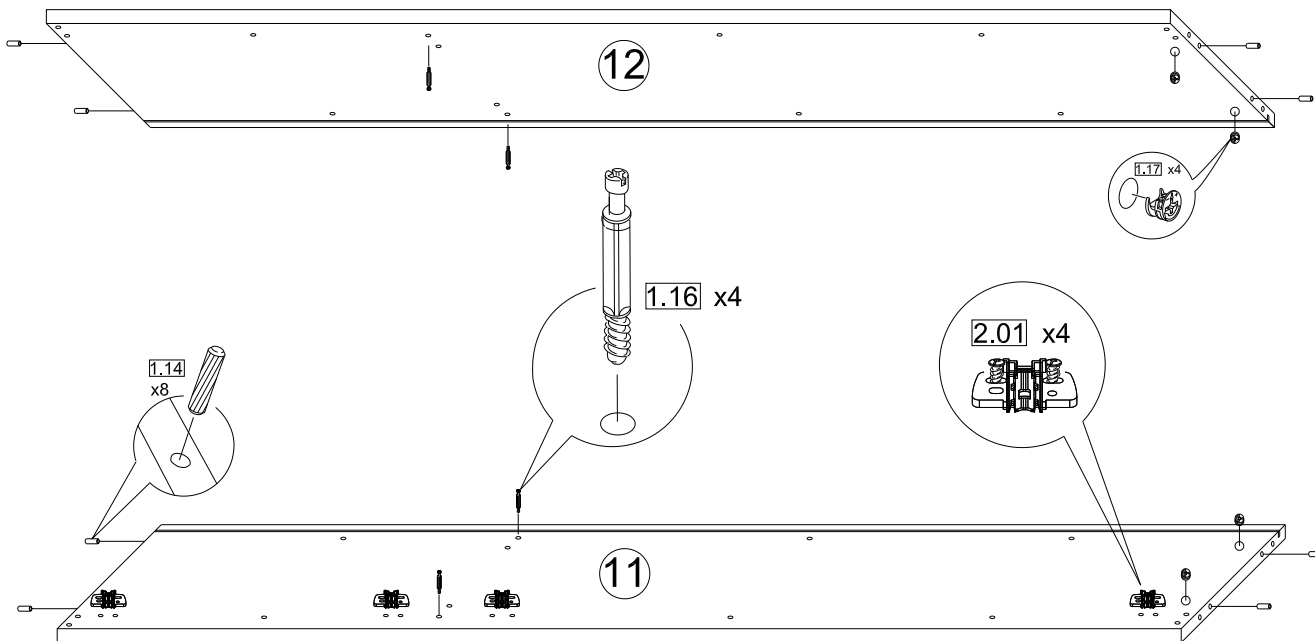


1	600**	472**	1
2	600**	472**	1
3	1190**	570**	1
4	555**	570**	1
5	556*	414	3
11	1790**	444	1
12	1790**	444	1
13	556**	444	1
14	556*	68	2
15	1212	566	1
16	577	566	1
Legs	2000	480/50	2

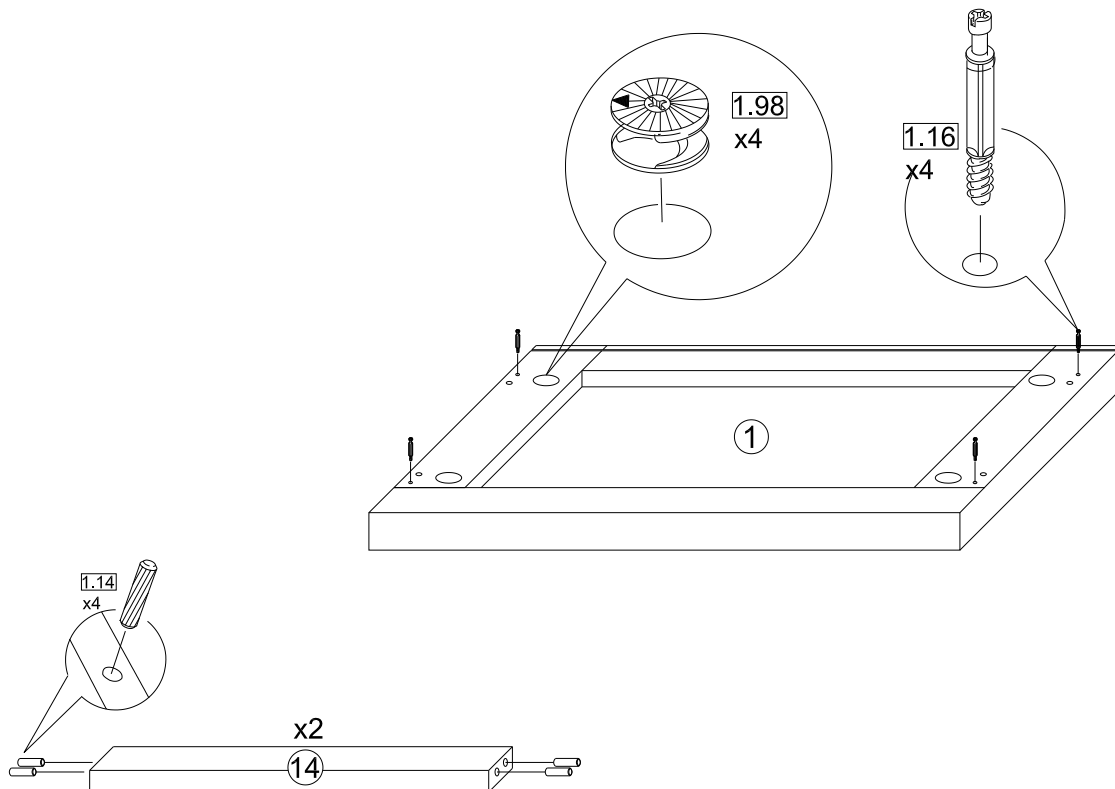
1.17  x9	1.16  x9	1.14  x26	1.32  x13	1.97 ^{6.3x11mm}  x8	1.70 ^{5x40mm}  x6	1.98  x4
1.99  x4	2.01 ^{D=0mm}  x4	1.5 ^{3.5x16mm}  x10	1.6  x1	2.02  x10	2.05  x4	2.04 ^{L-55mm M-6mm}  x4
2.06 ^{160mm}  x2	2.07 ^{22mm}  x4	1.7  x5	1.49 ^{3.5x30mm}  x2	1.58 ^{60mm}  x2		



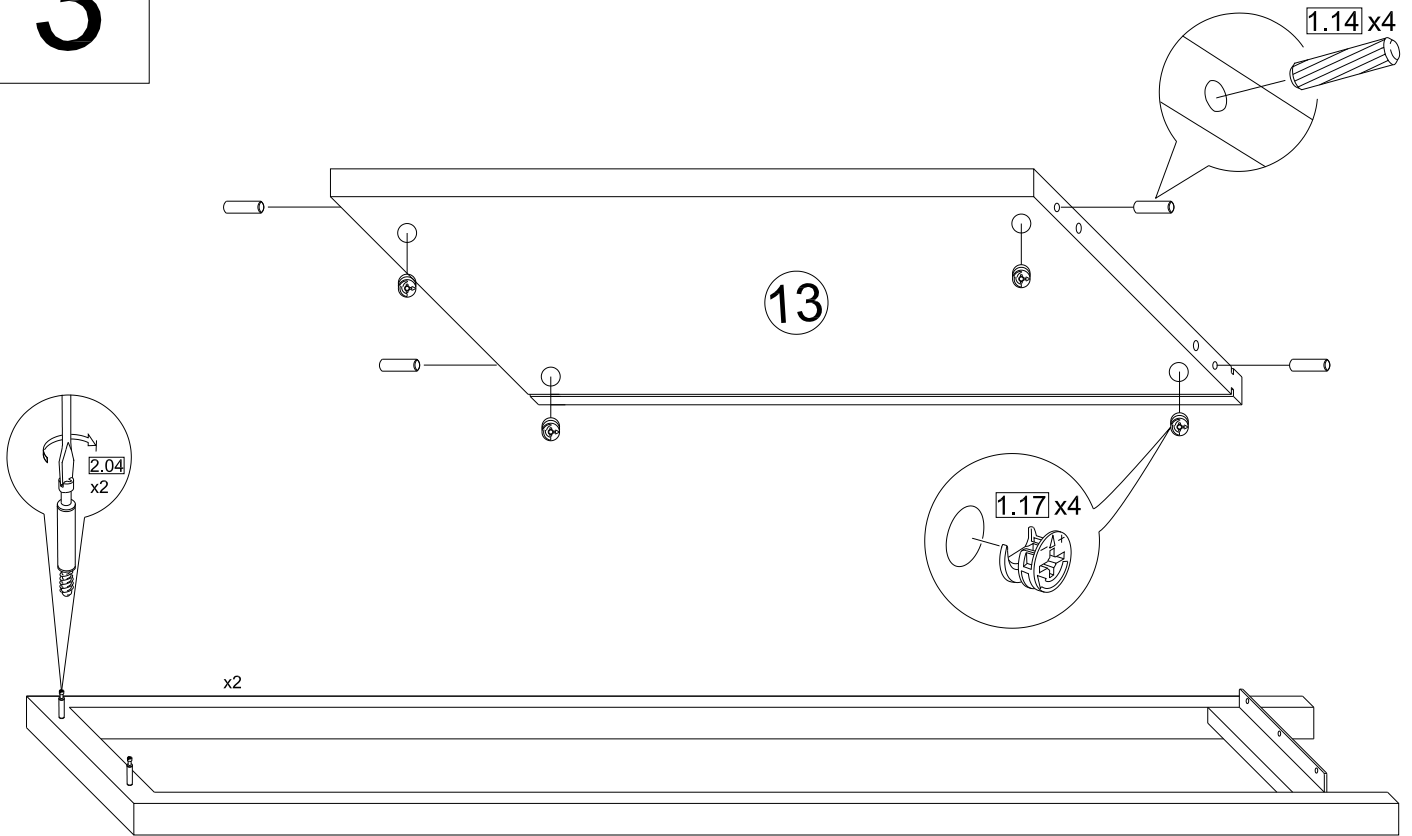
1



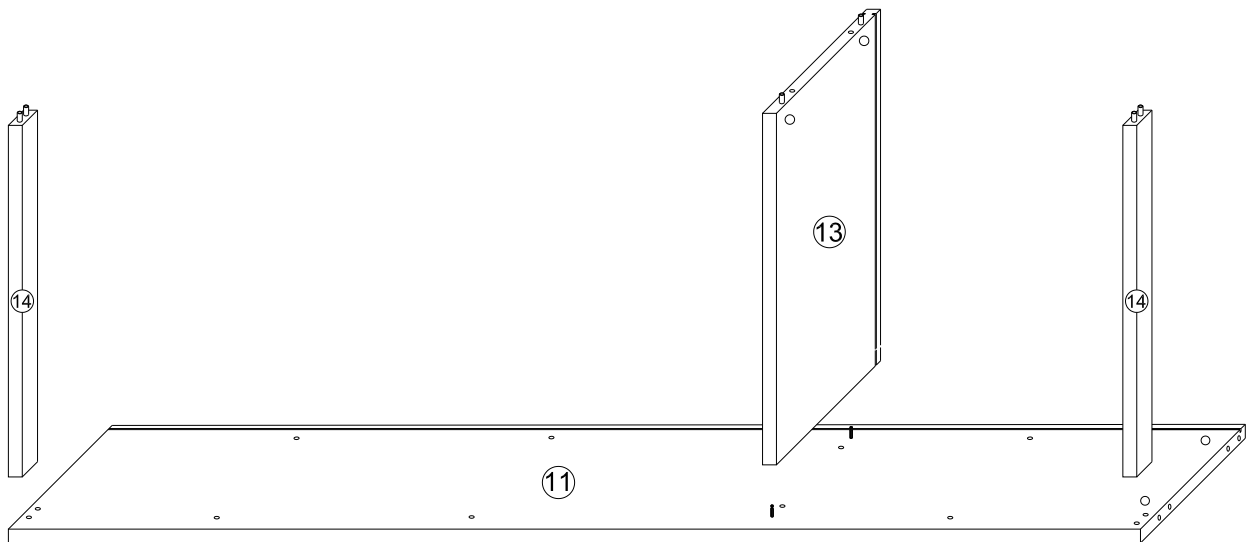
2



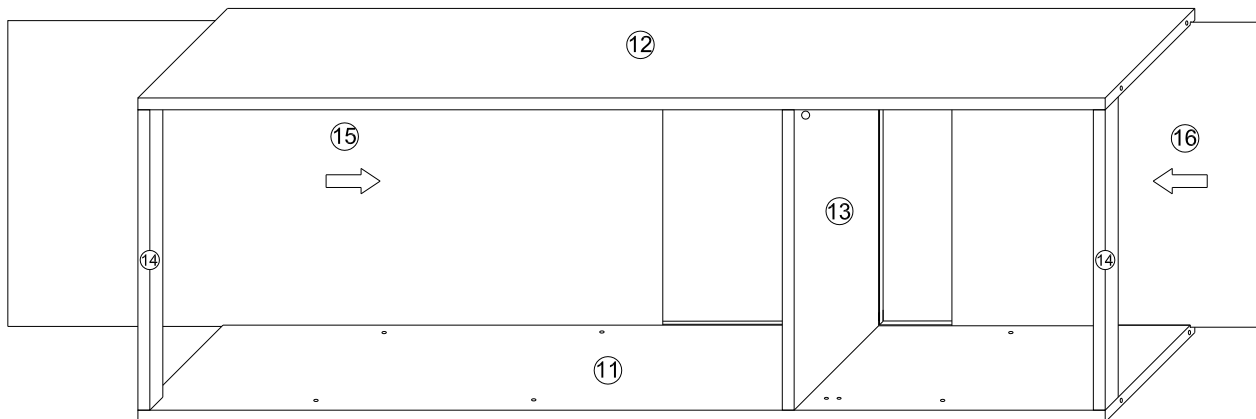
3



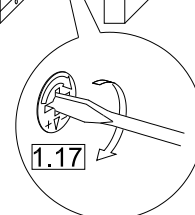
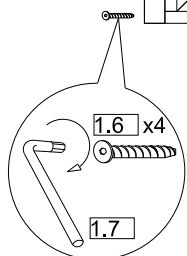
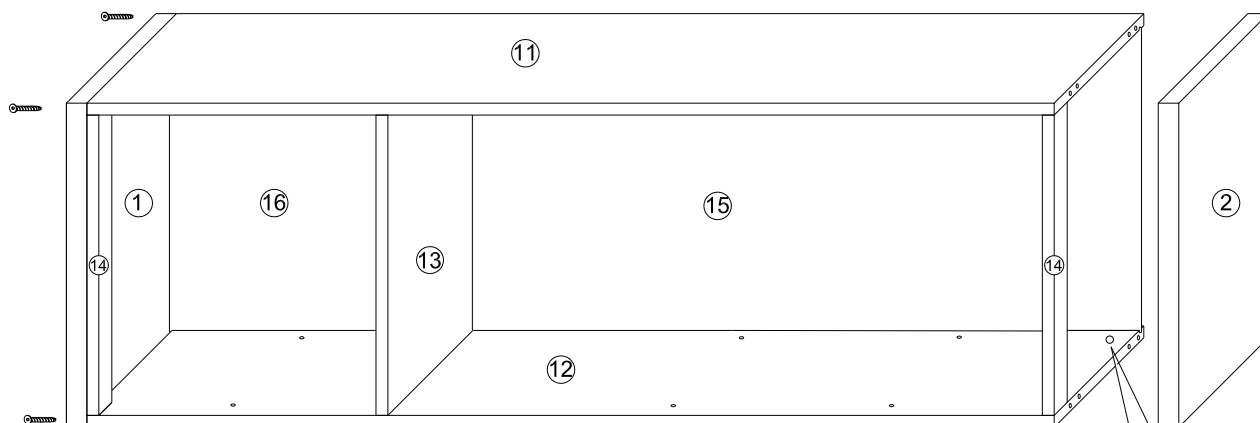
4



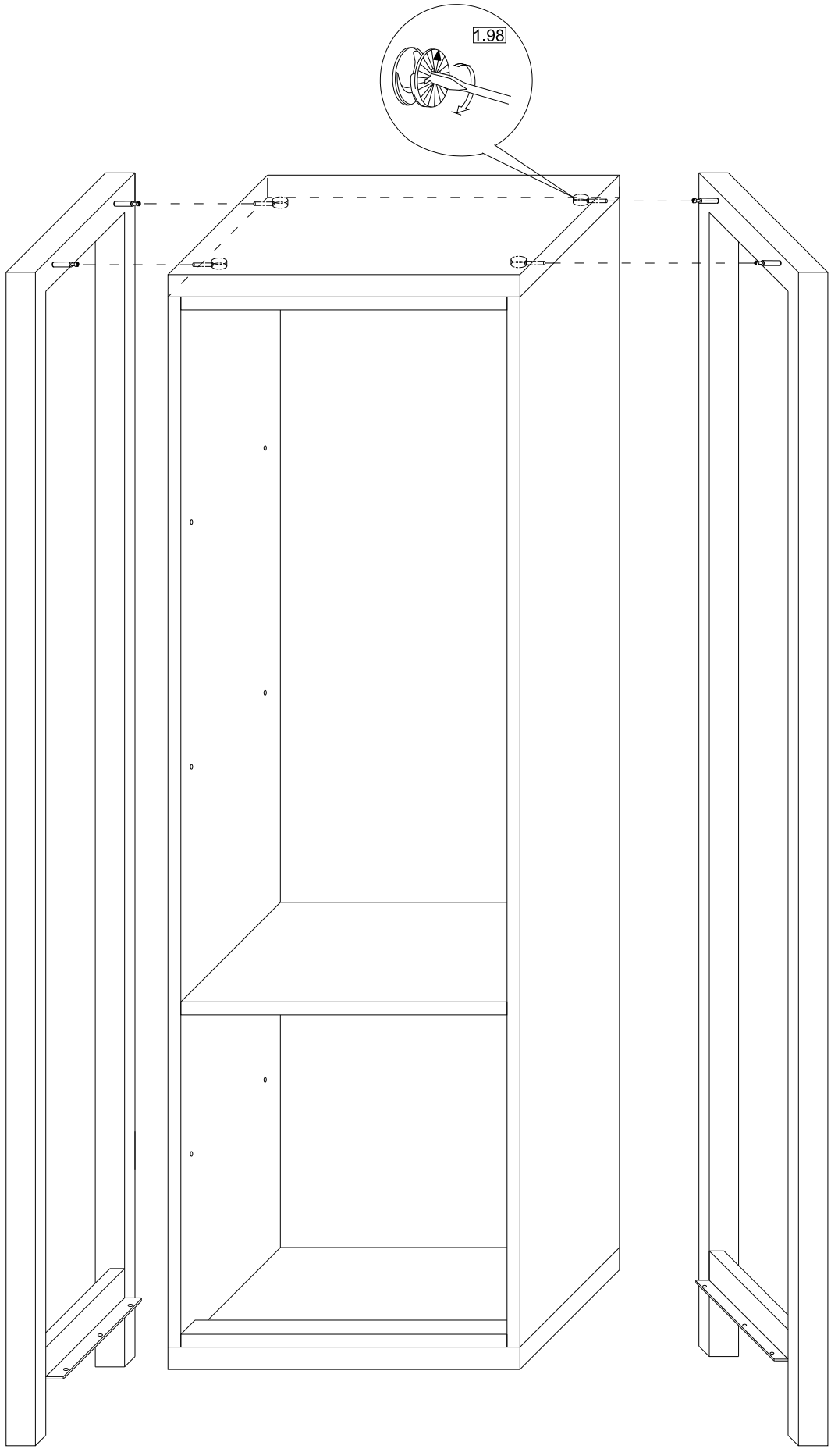
5



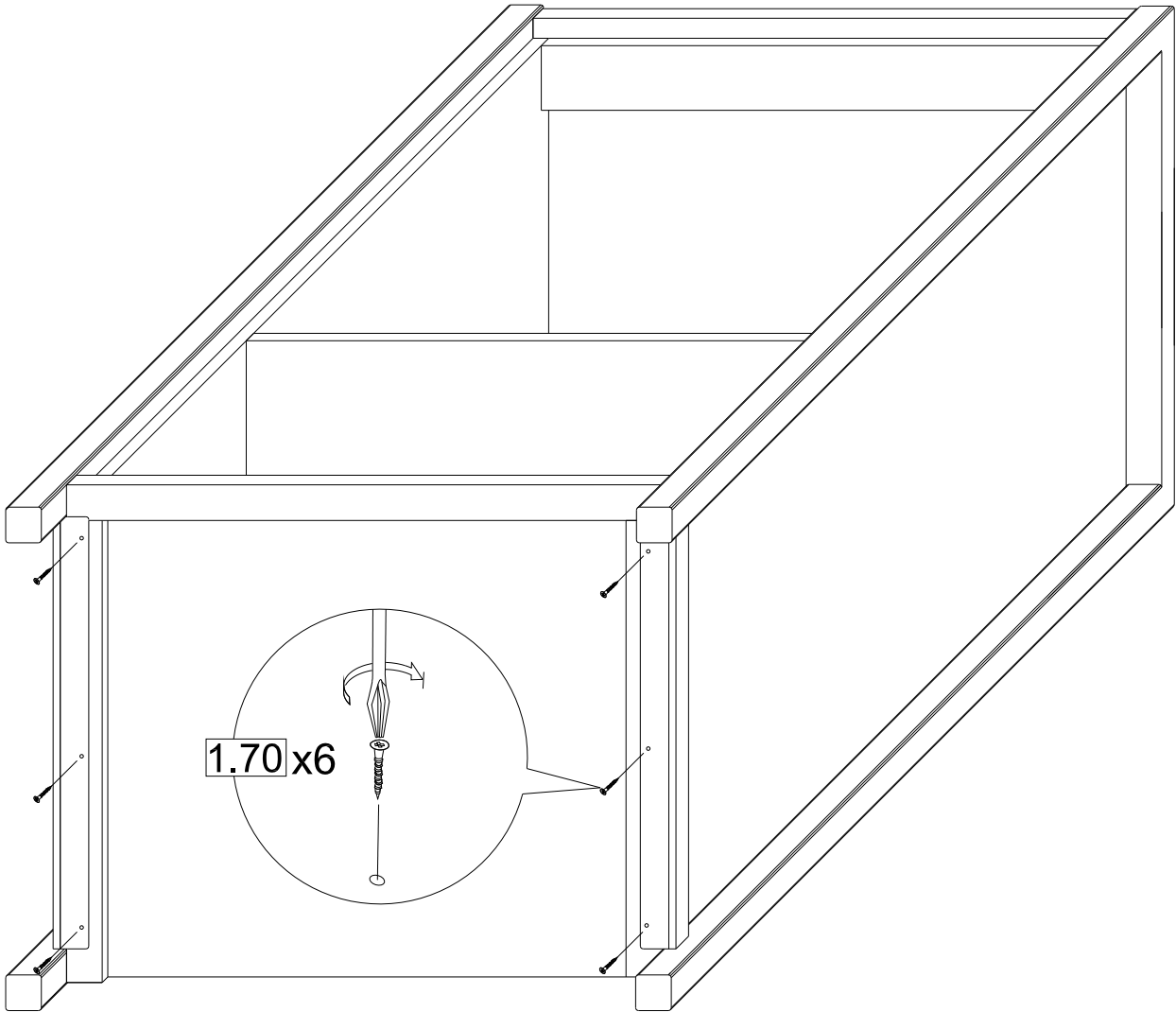
6



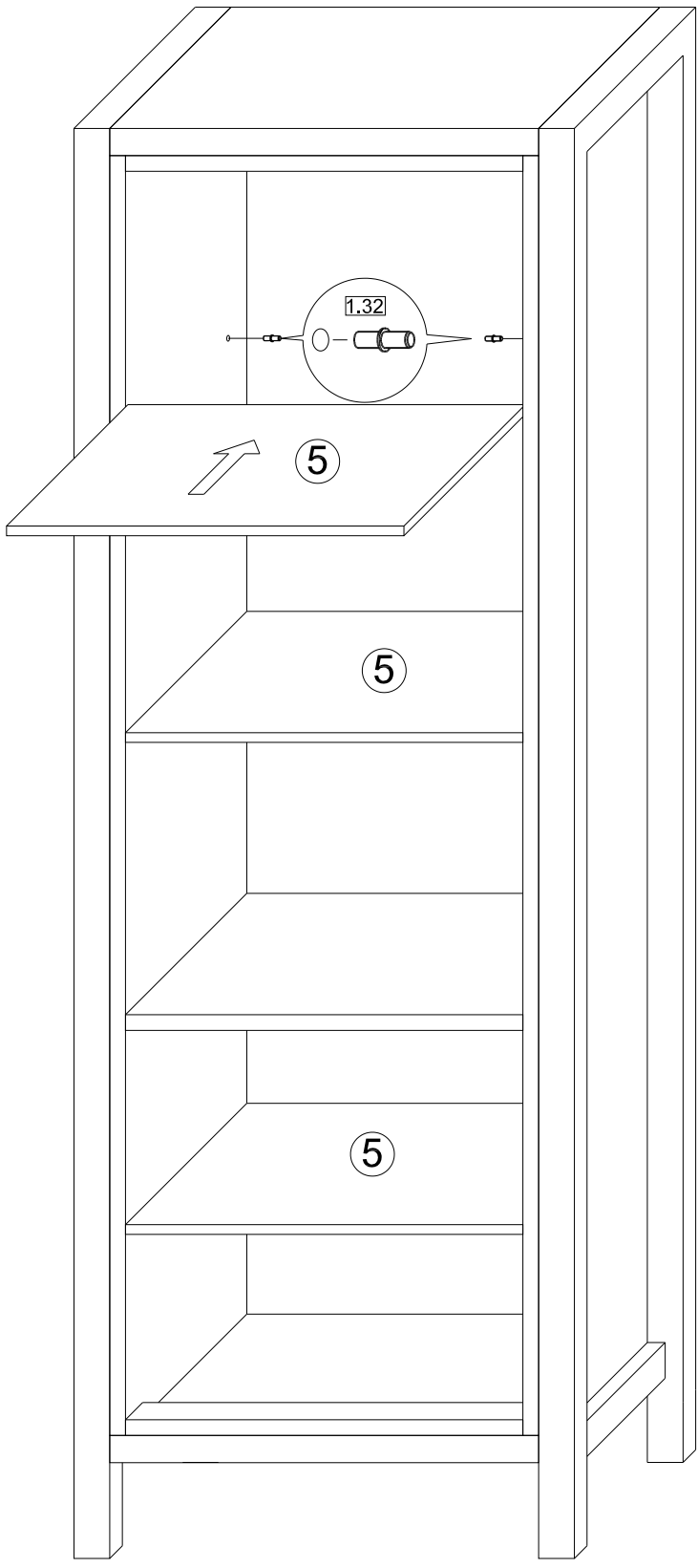
7



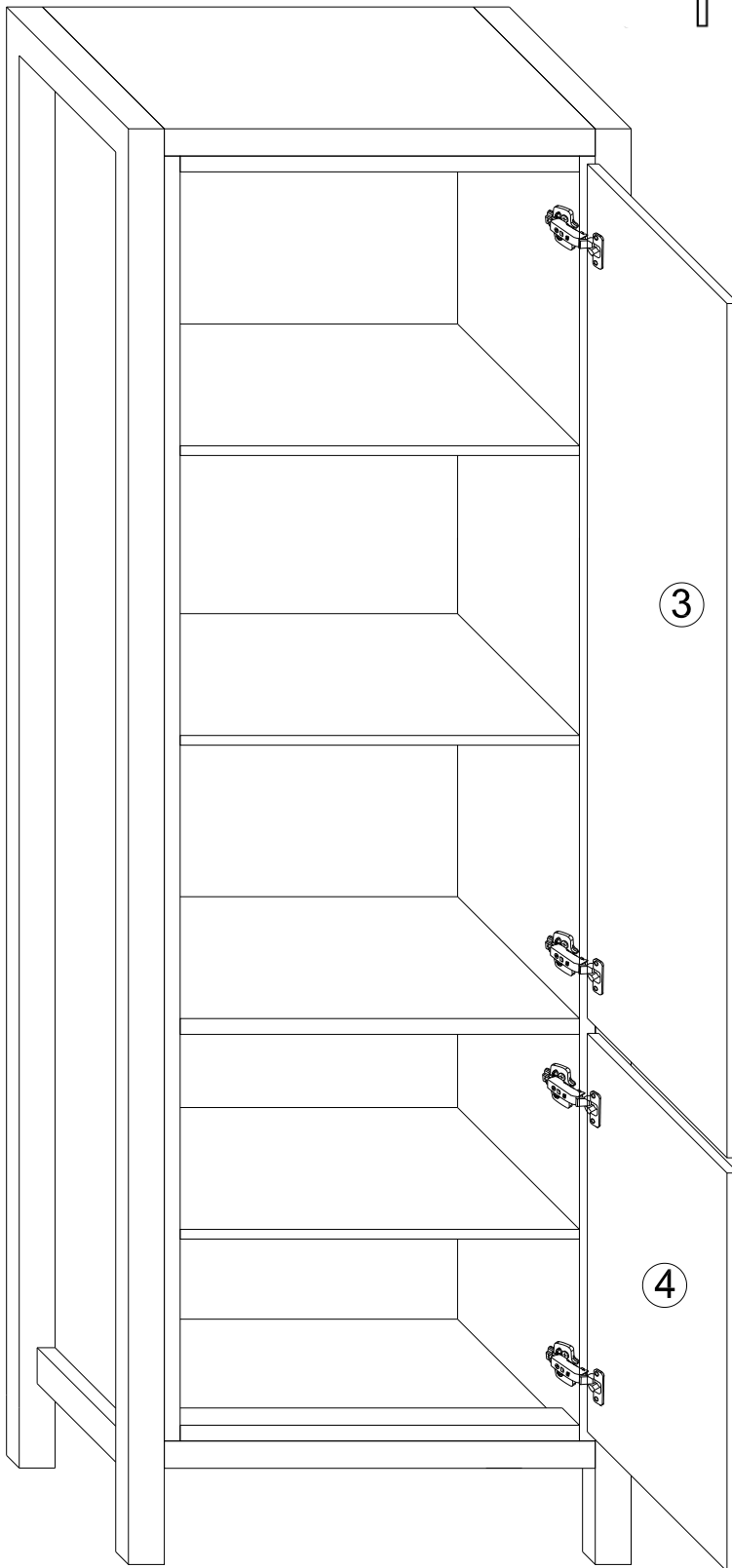
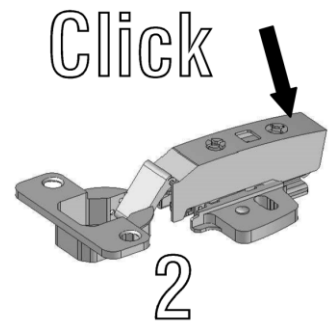
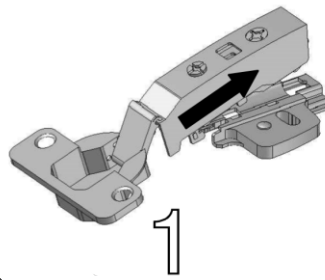
8



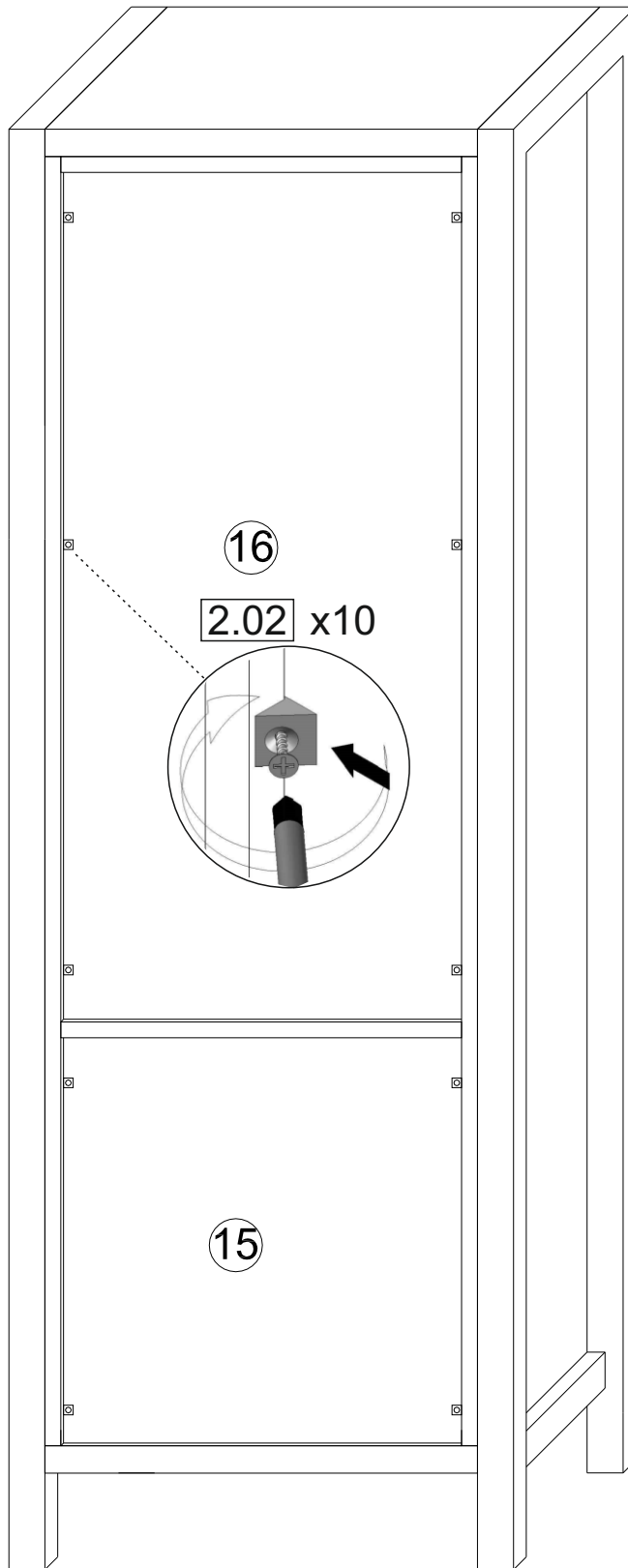
9

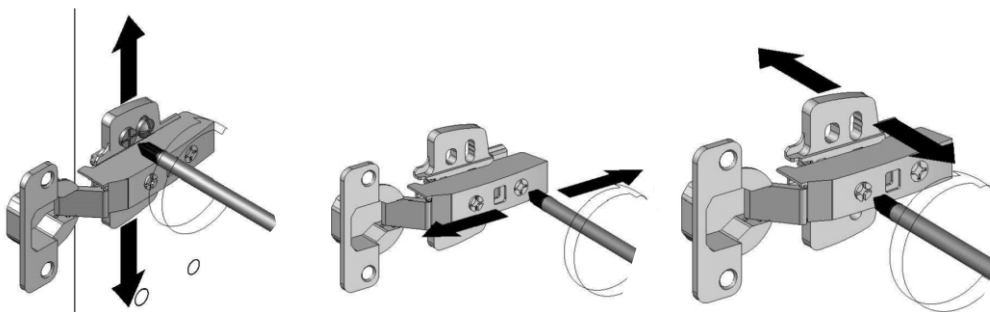
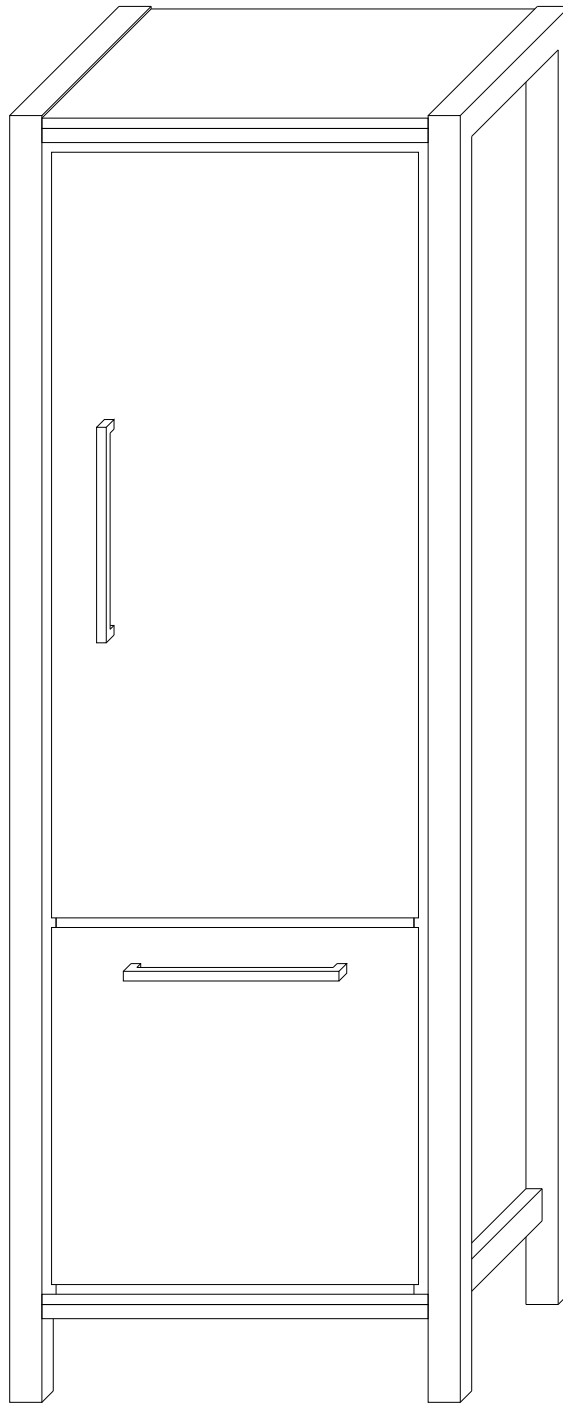


10



11





GB Urgent advice:

If you have bought a high wall cabinet, we ask you to first flatten the furniture at the desired location and then fix it to the wall with the pre-assembled strips. This to prevent possible tilting of the cabinet and preventing anyone to get injured. Plugs and screws for mounting the cabinet to the wall, are not included because the kind of plugs and screws you need is depending on the type of wall. We recommend to buy it from your local hardware store and ask for advice if necessary. After drawing and drilling (with the right drill), place the plug before screwing the strip. Prevent incorrect assembly or injury of any kind.

