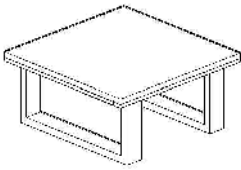


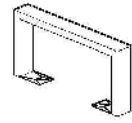


# Assembly instruction

# INDUSY salontafel



(1) x 1



(2) x 2

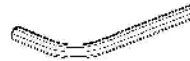


10 Min

**A.** (25x8mm)x8



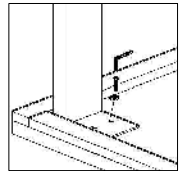
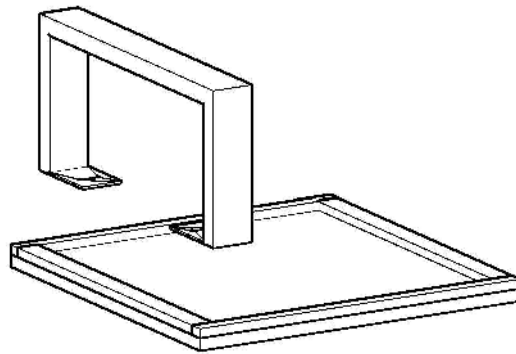
**B.** (6mm)x1



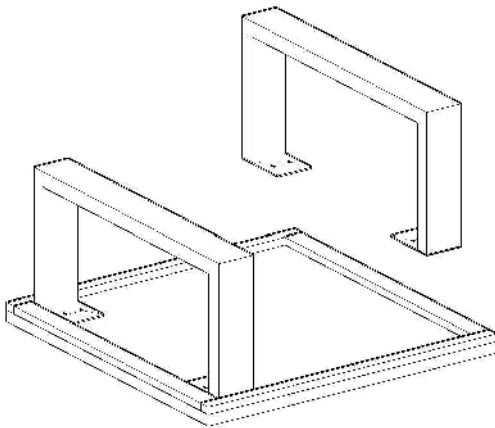
**C.** (8) x8



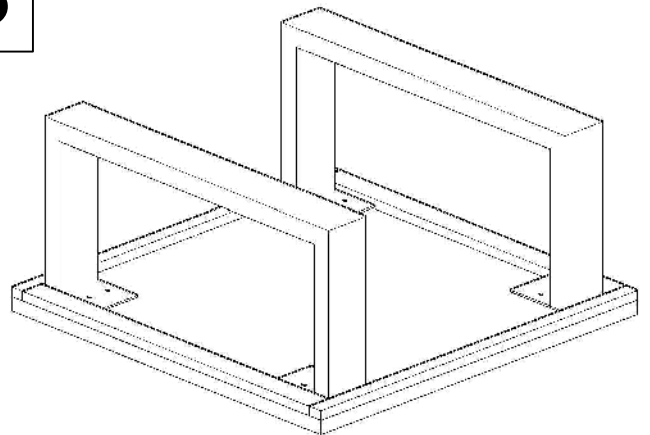
1



2



3



4

